



TeleMetrix

## TACHYMETRIC WHEEL Series VTROL

- The speed controller VTROL is a simple solution and reliable of Speed measurement of conveyor belt that we find habitually in carriers.
- The compact dimension and incurv allow a good implantation in all conveyors.
- The weight – dimensions ratio has been studied to assure the best Wheel support without premature wear.
- VTROL are intended for the protection of conveyors or for the measurement of speed for the operation of integrator latches on conveyor belts.

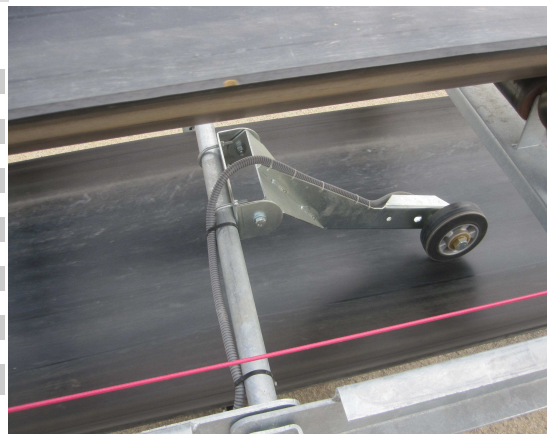


Long Reliability



### Technical characteristics VTROL

Power supply	10 à 40 Vdc / 0.2 A
Commutation	200 mA
Length cable	1.5 M
Pulses per revolution	1 or 6 Pulses / tour
Impulsion / distance	1 Pulse/ 0.51 M (mode 1 pulse/tour)
Waterproof	IP67 of detteur
Operating Temperature	-25°C to +80°C
Speed Range	0.1 to 3 m/s
Housing Material	Galvanized steel
Quality of bearings	INOX Waterproof
Coating	Caoutchouc 60° Sh
Weight	5 kg
LifeTime	100 000 000 M @ 2 m/s
Guarantee	2 years



### Fonctions :

- VTROL-3FP** Proximity switch M12 3 PNP wires (Standard).  
**VTROL – 2N** 2N Detector 2 wire M12
- VTROL – M30** Detector diameter 30 mm  
**VTROL – CV** Detector with integrated speed control function with wide range: 0.1 to 5 m / s

It's possible to mount other types of detectors without any modification

### SPECIFICATIONS US1

The unit US1 transforms the electrical pulses coming from the roll into an all-or-nothing signal "nominal speed reached".

The unit has an adjustable range of 0.4 to 4 m / s.

Two LED indicators:

2 LED indicators :

**GREEN** : Power presence

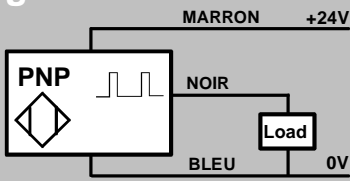
**RED** : Speed higher than preset value

Power	24 Vdc / 0.2 A
Commutation	200 mA
Mounting	Rail DIN
Compatible for 2-wire or 3-wire sensors	
Guarantee	2 ans



# TACHYMETRIC WHEEL VTROL Serie

## Wiring

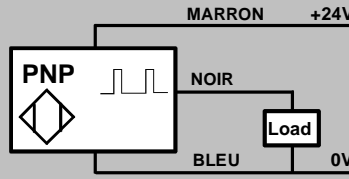


VTROL-3FP (Standard)

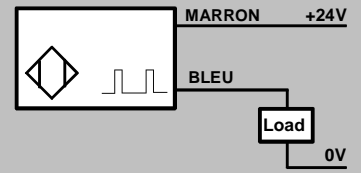
BROWN  
+ 24V

BLACK

BLUE 0 V

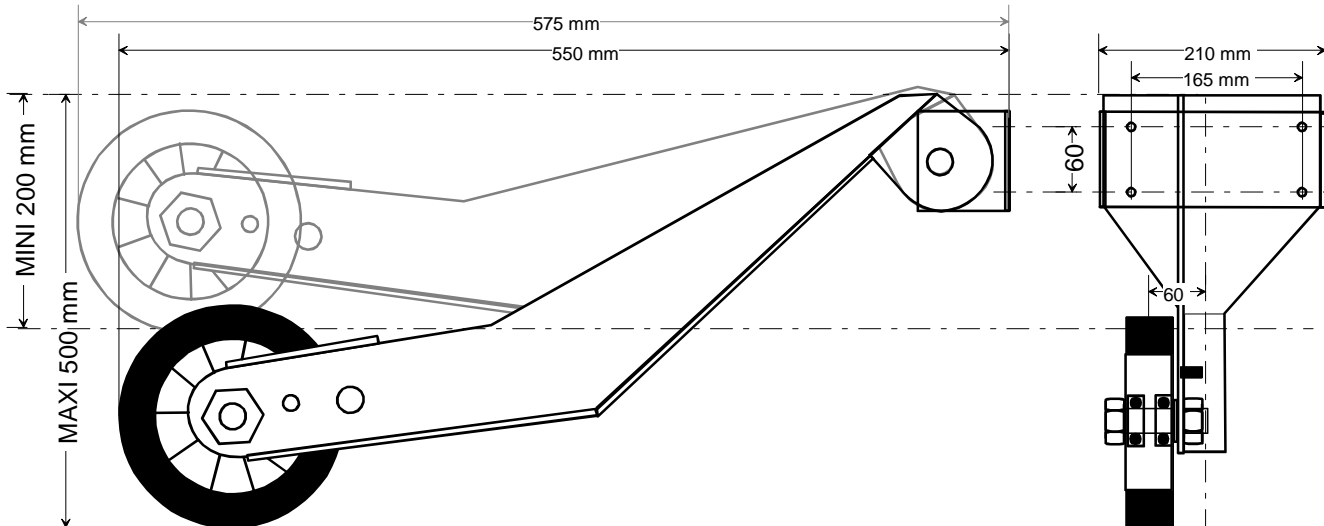


VTROL-CV



VTROL-2N

## Dimensions



Outer diameter 110 mm for better grip  
Axis with flat 20/14 mm  
Adaptation to the station by adjustment of the stop.  
Anti-skid coating DOUBLE material.

## Informations about order

VTROL - □

Output type  
3FP : 3 PNP Wires(standard)  
CV : Speed Controller  
2F : 2 Wires PNP

## Additional products



TNRV : Roller Shift

## Associated Products



Speed Sensor  
6012 Serie



Emergency Stop to  
Cable



Weighing sensor



Integrating rocker



**En stock !**

**IN STOCK**

Go to [www.telemetrix.fr](http://www.telemetrix.fr)

Votre contact



TeleMetrix

TELEMETRIX SAS

BP118 79, Rue de la Gare 78370 PLAISIR FRANCE

contact@telemetrix.fr www.telemetrix.fr

Phone : (+33) 0972 11 00 03 Fax : (+33) 0972 11 00 57