



TeleMetrix

TACHYMETRIC WHEEL Series VTROL

- The speed controller VTROL is a simple solution and reliable of Speed measurement of conveyor belt that we find habitually in carriers.
- The compact dimension and incurv allow a good implantation in all conveyors.
- The weight – dimensions ratio has been studied to assure the best Wheel support without premature wear.
- VTROL are intended for the protection of conveyors or for the measurement of speed for the operation of integrator latches on conveyor belts.



Long Reliability



Technical characteristics VTROL

Power supply	10 à 40 Vdc / 0.2 A
Commutation	200 mA
Length cable	1.5 M
Pulses per revolution	1 or 6 Pulses / tour
Impulsion / distance	1 Pulse/ 0.51 M (mode 1 pulse/tour)
Waterproof	IP67 of detteur
Operating Temperature	-25°C to +80°C
Speed Range	0.1 to 3 m/s
Housing Material	Galvanized steel
Quality of bearings	INOX Waterproof
Coating	Caoutchouc 60° Sh
Weight	5 kg
LifeTime	100 000 000 M @ 2 m/s
Guarantee	2 years



Fonctions :

- VTROL-3FP** Proximity switch M12 3 PNP wires (Standard).
VTROL – 2N 2N Detector 2 wire M12
- VTROL – M30** Detector diameter 30 mm
VTROL – CV Detector with integrated speed control function with wide range: 0.1 to 5 m / s

It's possible to mount other types of detectors without any modification

SPECIFICATIONS US1

The unit US1 transforms the electrical pulses coming from the roll into an all-or-nothing signal "nominal speed reached".

The unit has an adjustable range of 0.4 to 4 m / s.

Two LED indicators:

2 LED indicators :

GREEN : Power presence

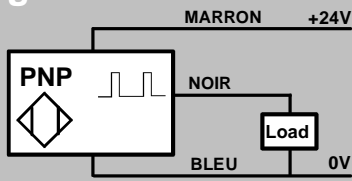
RED : Speed higher than preset value

Power	24 Vdc / 0.2 A
Commutation	200 mA
Mounting	Rail DIN
Compatible for 2-wire or 3-wire sensors	
Guarantee	2 ans



TACHYMETRIC WHEEL VTROL Serie

Wiring

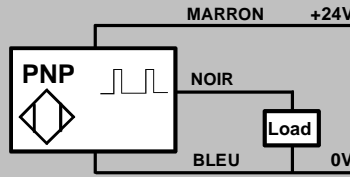


VTROL-3FP (Standard)

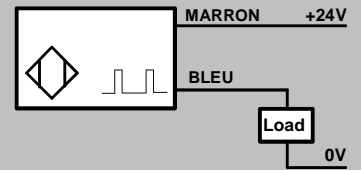
BROWN
+ 24V

BLACK

BLUE 0 V

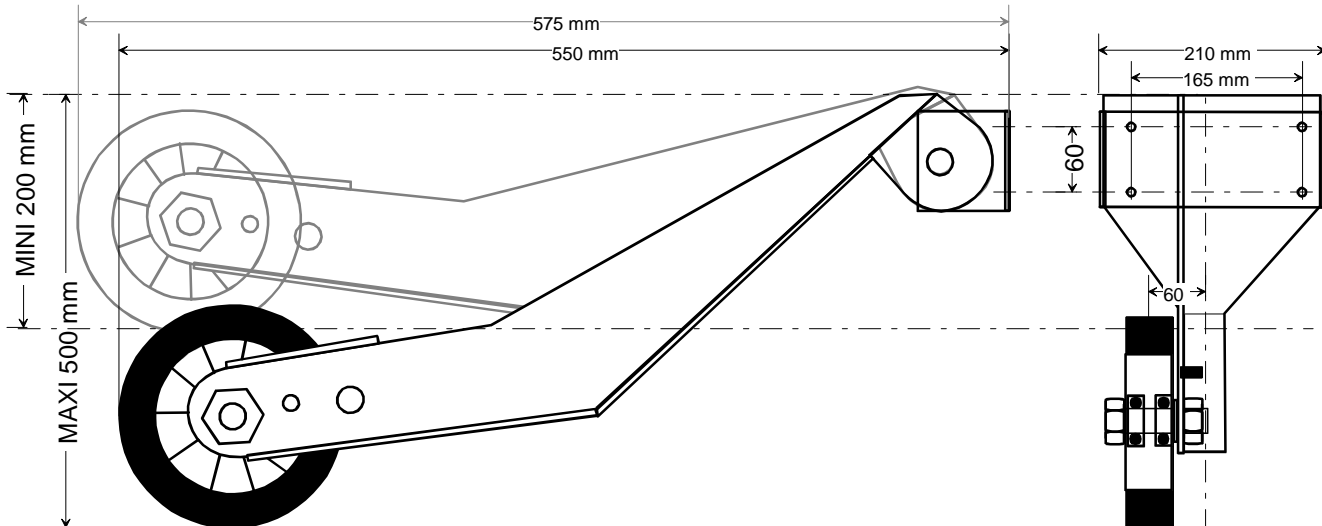


VTROL-CV



VTROL-2N

Dimensions



Outer diameter 110 mm for better grip
Axis with flat 20/14 mm
Adaptation to the station by adjustment of the stop.
Anti-skid coating DOUBLE material.

Informations about order

VTROL - □

Output type
3FP : 3 PNP Wires(standard)
CV : Speed Controller
2F : 2 Wires PNP

Additional products



TNRV : Roller Shift

Associated Products



Speed Sensor
6012 Serie



Emergency Stop to
Cable



Weighing sensor



Integrating rocker



En stock !

IN STOCK

Go to www.telemetrix.fr



TeleMetrix

TELEMETRIX SAS

BP118 79, Rue de la Gare 78370 PLAISIR FRANCE

contact@telemetrix.fr www.telemetrix.fr

Phone : (+33) 0972 11 00 03 Fax : (+33) 0972 11 00 57

Votre contact