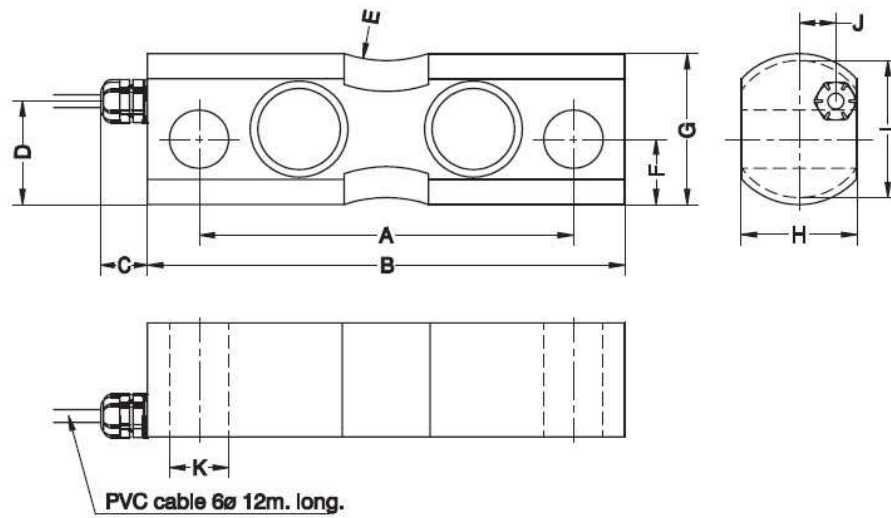
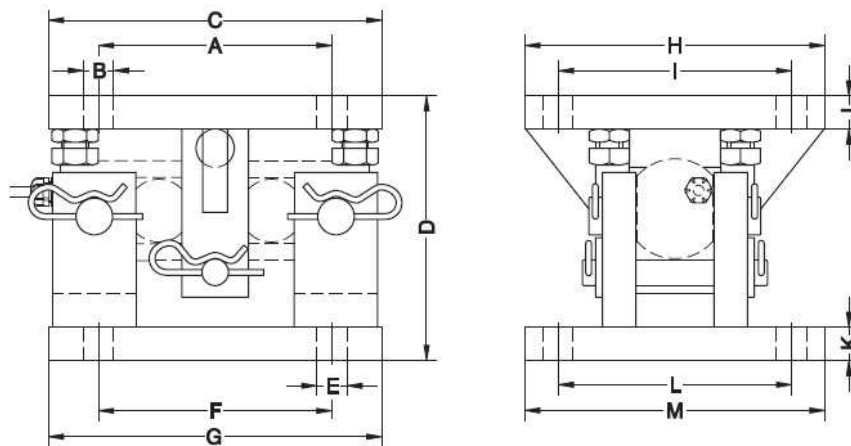
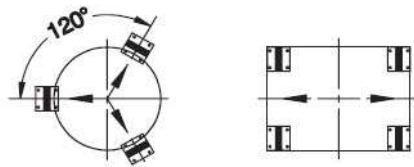


MECANICAL CHARACTERISTICS



Nominal Load	A	B	C	D	E	F	G \varnothing	H	I \varnothing	J	K \varnothing	Transport Weight
5...20 t	145	185	16	41	r.50	25.7	59.5	45	55	14	23	3.2 kg
30...50 t	220	285	16	48	r.50	29.7	74.5	60	66	22	30	8.1 kg
75...100 t	260	340	16	66	r.50	37.2	99.5	80	91	32	50	16.2 kg

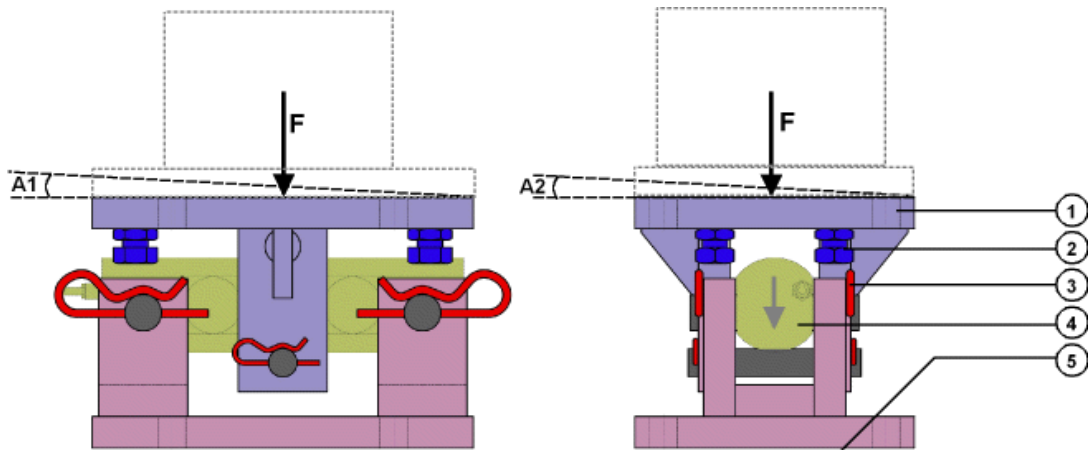
Dimensiones en mm. *Dimensions in mm.*



Accesorio Accessory	Carga Nominal Load	A	B \varnothing	C	D	E \varnothing	F	G	H	I	J	K	L	M	Peso Transport Weight
46901	5...20 t	140	18	200	160	18	140	200	180	140	20	20	140	180	17 kg
46902	30...50 t	175	22	300	200	22	175	300	220	175	25	25	175	220	39 kg
46903	75...100 t	220	26	370	270	26	220	370	300	220	30	30	220	300	82 kg

Dimensiones en mm. *Dimensions in mm.*

LOAD CELL INSTALLATION



Description

- | | |
|---|--------------------------------|
| 1 | Upper plate support |
| 2 | Lifting screw & gap limitation |
| 3 | Pin locked axes |
| 4 | Load cell |
| 5 | bottom Plate |

SAFETY INSTRUCTIONS

Read these installation instructions before proceeding with any transaction.

Environments and sensors must be used following the instructions in the this manual. It is also necessary to follow the regulations concerning the use of the weighing system as a whole, and also with respect to the mechanical components.

These materials are not security features in themselves. Transport, storage, assembly, operation and proper maintenance are needed.

If not properly installed or operated, the accessories can be dangerous. All persons also involved in the installation, maintenance and / or have another responsibility in this regard, they are not properly trained, can put themselves in danger as well as others.

If the installation includes these items resulted in injury or injuries or damages the equipment, all necessary safety precautions must be taken by the user (eg protection against falls, protection against overload, etc.). It is very important to follow all regulations for the prevention of risks.

These accessories are modules for use in applications that involve other areas of weighing technology. Designers, installers and operators of these applications must implement all required safety standards to minimize the danger. All regulations concerning the application should always be followed.



When environmental conditions on the use of these accessories are considered difficult, or if they are unknown, but considered likely to be difficult, it is strongly recommended that a suitable coating or additional protection after mounting accessories, and also protect the cable and other parts adequately.

Our material should never be changed.

It is not allowed in any way to make conversions or modifications of these accessories that can affect its design in terms of security without formal agreement from the manufacturer. Any amendment excludes any liability on our part for any damage resulting therefrom.

These items should be installed by qualified personnel strictly following all the technical data, safety rules and regulations. This is also valid for the entire application and accessories.

1.1 System component

Accessories **46901**, **46902** and **46903** are designed to be used as weighing modules with anti-tilt for silos / tanks.

The environment is **46901** for use with a load sensor model 460 with a capacity of 5 to 20 t.

The environment is **46902** for use with a load sensor model 460 unit capacity 30 to 50t.

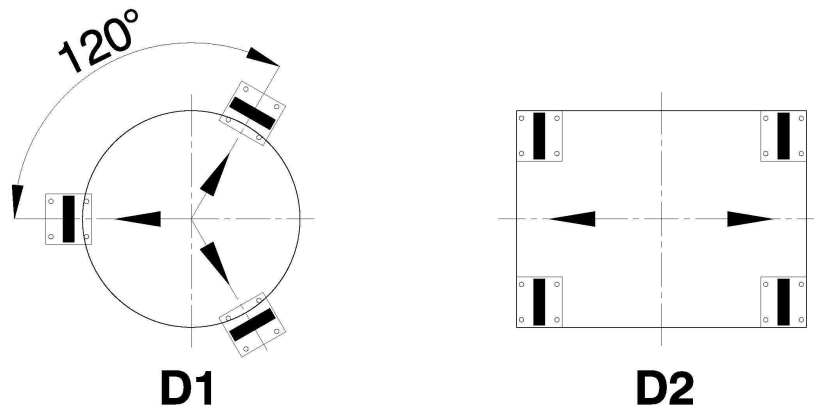
The environment is **46903** for use with a load sensor model 460 unit capacity from 75 to 100t.

These environments are essentially constituted by a bottom plate Rep. 5 to be mounted on the ground or a timber not exceeding 1 / 2000 of inclination. The sensor is placed with two axes, and a higher load plate Rep. One who bears the burden of the silo / tank (see diagram).

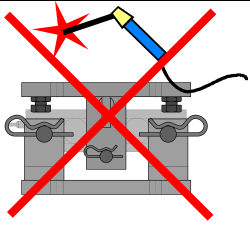
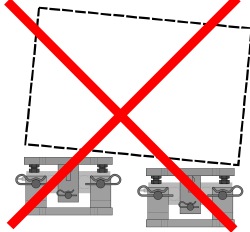
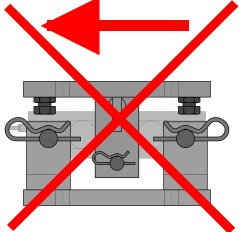
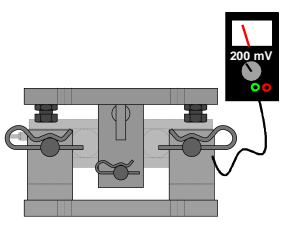
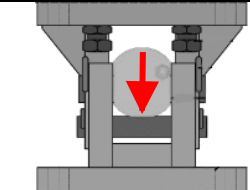
Environments have the following systems:

- Anti tipping the central axis of lower placed across the holes in the top plate, and is below the load cell by preventing the lifting of the load plate PC.
- Anti-swing: the horizontal movement produced by a silo rotation is limited by the play occurs between the two central axes and the sensor (it is impossible to go beyond the widest part of the load sensor).

1.2 RECOMMENDATION



These environments must be placed in the above examples that the system not working properly swing
The base plate must be attached to solid ground, consistent and rigorous level.
The descent of charge (leg tank) must be vertical. Contact us when mounted with feet angled.
The media on which accessories to be mounted, must be level, flat and clean
The foundation must be rigid enough so that the distortions produced by the load are low and within the limits tolerated.

	<p>Do not weld in the vicinity, on the silo, foot support, etc ... when the sensors are mounted, as a precaution against possible damage.</p>
	<p>The load on the points of support must be consistent as far as possible. Ensure that the height of the support points is correct and adjust if necessary by means of shims.</p>
	<p>It should be ensured that the sensors, once assembled, is free of transverse force. (Eg foot inclined)</p>
	<p>It is best to check the signal from each sensor individually to meet a uniform distribution of charges. In case of imbalance of more than 10%, offset the height of the load by putting blocks underneath.</p> <p>In practice: the sensor is supplied with 10Vdc, the difference between each output signal must not exceed + - 1 mV. Use a multimeter with a range of 200.00 mV</p>
	<p>Mount the sensor such that the arrow is DOWN.</p>

INSTALLATION PROCEDURE

The base plate **PB** must be fixed to the foundations. This plate has four holes that allow secure mounting.

Once the base plate **PB** is fixed, the load sensor must be mounted on it (it should only be placed in the correct position otherwise it can not be mounted), fixing it with the two pins **E1** and **E2** and blocking these two pins with four pins (2 per

Thus, the load sensor is mounted on the base plate **PB**.

The load plate **PC** must be placed on the load sensor so that the pin **F1** is on the **F1** center of the sensor **E1**. Then lower the pin **F1** to be placed and secured with two

Once the load sensor is mounted, and so that the plate load is not unstable, the four judgments **t1** down until they touch the columns **C**. Thus, the plate load is balanced and the sensor free of contact with **E1**, which allows the execution of the assembly with minimal mechanical damage.

Attach the anchor of the silo / tank to the load plate **PC** using the four holes available for this purpose. Once all the anchors are attached, free stops **t1**. These judgments can remain mounted as safety stops, leaving some room for hours each and every day.

Technical support
The stops allow **t1**, if changing the load cell by another one, it is necessary to release the load of the load sensor so that the weight rests on the column **C**. Then remove the pins **P1** and **P2**, remove the load cell and longitudinally substitute it. Once replaced, place the pins **P1** and **P2** and release stops **t1**.

