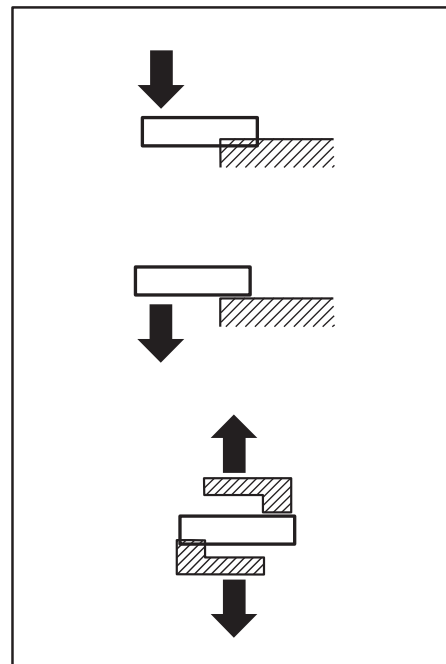




TeleMetrix

# Capteur de pesage - Load cell **Mod. 340**

15kg ... 1500kg



## Célula de carga de flexión

Totalmente en acero inoxidable

3000 divisiones O.I.M.L. R60 clase C \*

Sellado hermético, completamente soldada

Protección IP 68 (EN 60529)

Disponible en versión **ATEX** (opcional)

Zona 0-1-2 (gas) y 20-21-22 (polvo)

## Bending beam load cell

Fully Stainless Steel

3000 divisions O.I.M.L. R60 class C \*

Hermetically sealed, fully welded

Protected IP 68 (EN 60529)

Available in **ATEX** version (optional)

Zone 0-1-2 (gas) and 20-21-22 (dust)

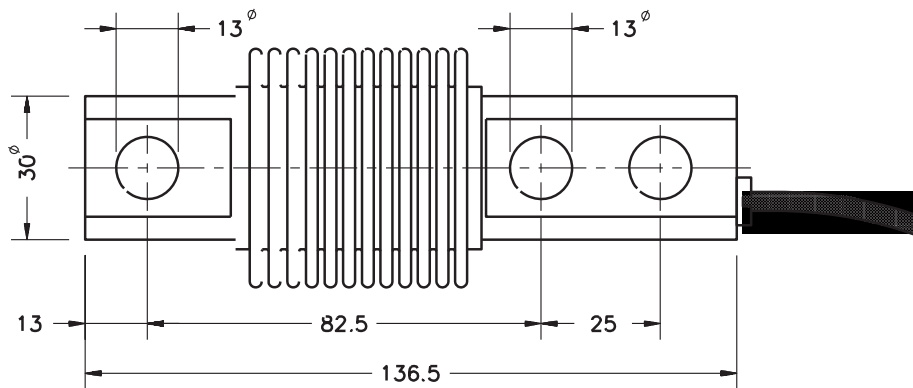
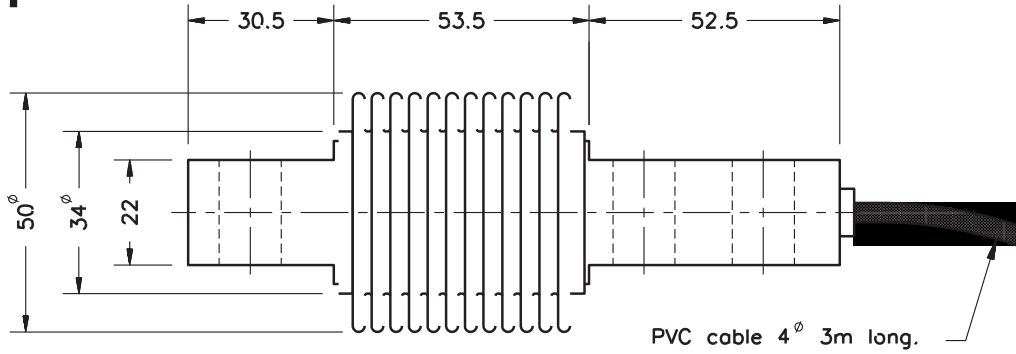
| Modelo<br>Model | Carga nominal<br>Nominal capacity<br>Ln | Clase de precisión<br>Accuracy class<br>* n. OIML | División mínima<br>Minimum division<br>vmin | Carga de servicio<br>Service load<br>150 % Ln | Carga límite<br>Safe load<br>200 % Ln |
|-----------------|---|---|---|---|---------------------------------------|
| 340 15 kg       | 15 kg                                   | 3000  | 1.5 g                                       | 22 kg   | 30 kg                                 |
| 340 30 kg       | 30 kg                                   | 3000  | 3 g   | 45 kg   | 60 kg                                 |
| 340 50 kg       | 50 kg                                   | 3000  | 5 g   | 75 kg   | 100 kg                                |
| 340 75 kg       | 75 kg                                   | 3000  | 7.5 g                                       | 112 kg  | 150 kg                                |
| 340 100 kg      | 100 kg                                  | 3000  | 10 g  | 150 kg  | 200 kg                                |
| 340 150 kg      | 150 kg                                  | 3000  | 15 g  | 225 kg  | 300 kg                                |
| 340 200 kg      | 200 kg                                  | 3000  | 20 g  | 300 kg  | 400 kg                                |
| 340 250 kg      | 250 kg                                  | 3000  | 25 g  | 375 kg  | 500 kg                                |
| 340 300 kg      | 300 kg                                  | 3000  | 30 g  | 450 kg  | 600 kg                                |
| 340 500 kg      | 500 kg                                  | 3000  | 50 g  | 750 kg  | 1000 kg                               |
| 340 750 kg      | 750 kg                                  | 3000  | 75 g  | 1125 kg                                       | 1500 kg                               |
| 3401000 kg      | 1000 kg                                 | 3000  | 100 g                                       | 1500 kg                                       | 2000 kg                               |
| 3401500 kg      | 1500 kg                                 | 2000  | 150 g                                       | 2250 kg                                       | 2500 kg                               |

TELEMETRIX SAS FRANCE, BP118 FR-78370 PLAISIR

Tel. (+33) (0) 972 11 00 03 Fax (+33) (0) 972 11 00 57 [www.telemetrix.fr](http://www.telemetrix.fr) [contact@telemetrix.fr](mailto:contact@telemetrix.fr)

N° TVA FR85418256814 RCS B 418 256 814 SIRET 418 256 814 00041

# MOD. 340 Compatible SC SB2

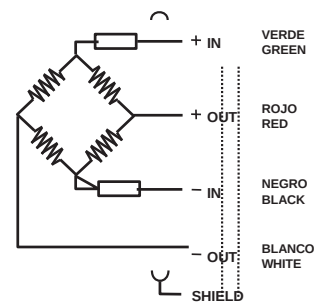


Dimensiones en mm. Dimensions in mm.

Peso transporte - Transport weight: 0.5 kg

| ESPECIFICACIONES                        |   |             | SPECIFICATIONS                 |
|---|---|-------------|--------------------------------|
| Cargas nominales (Ln)                   | 15-30-50-75-100<br>150-200-250-300<br>500-750-1000-1500 | kg          | Nominal capacities (Ln)        |
| Clase de precisión                      | 3000  | n. OIML (3) | Accuracy class                 |
| Carga mínima                            | 0   | %Ln         | Minimum dead load              |
| Carga de servicio                       | 150   | %Ln         | Service load                   |
| Cargas límite                           | 200   | %Ln         | Safe load limit                |
| Error combinado                         | < ±0.017  | %Sn (1) (3) | Total error                    |
| Error repetibilidad                     | < ±0.015  | %Sn         | Repeatability error            |
| Efecto de la temperatura:<br>en el cero | < ±0.01   | %Sn/5°K     | Temperature effect:<br>on zero |
| en la sensibilidad                      | < ±0.006  | %Sn/5°K     | on sensitivity                 |
| Error de fluencia (30 minutos)          | < ±0.016  | %Sn         | Creep error (30 minutes)       |
| Compensación de temperatura             | -10...+40   | °C          | Temperature compensation       |
| Límites de temperatura                  | -30...+70   | °C          | Temperature limits             |
| Sensibilidad nominal (Sn)               | 2 ±0.1%   | mV/V (2)    | Nominal sensitivity (Sn)       |
| Tensión de alimentación nominal         | 10  | V           | Nominal input voltage          |
| Tensión de alimentación máxima          | 15  | V           | Maximum input voltage          |
| Resistencia de entrada                  | 400 ±20   | Ω           | Input impedance                |
| Resistencia de salida                   | 350 ±3  | Ω           | Output impedance               |
| Desequilibrio inicial                   | < ±2  | %Sn         | No load output                 |
| Resistencia de aislamiento              | > 5000  | MΩ          | Insulation resistance          |
| Deformación máxima (a Ln)               | 0.2-0.4   | mm          | Maximum deflection (at Ln)     |

CONEXION ELECTRICA  
ELECTRICAL CONNECTION:



(1) Error combinado: No Linealidad e Histéresis / Total error: Non Linearity and Hysteresis

(2) Ln 20 kg, 2 ±0.2%

(3) 1500 kg: 2000 n. OIML



TeleMetrix

ACC30904/30905  
ACC34906/34903

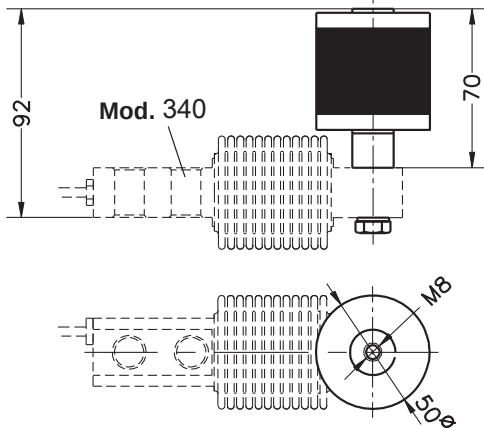
## MOUNTING-KIT PREVENTION FOR MOD. 340

Acc.30904 : Apoyo silent-block, hasta 50 kg  
(goma azul) / Silent-block bearing  
up to 50 kg (blue rubber)

Acc.30905 : Apoyo silent-block, hasta 300 kg /  
Silent-block bearing up to 300 kg

Acero inox. / Stainless Steel

50/300 kg max.



Peso transporte - Transport weight: 0.5 kg



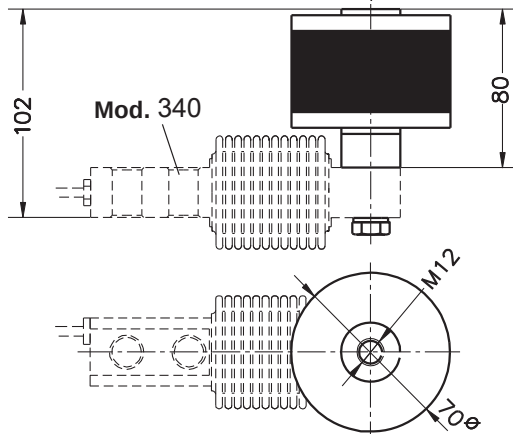
Acc.34903 : Placa base: Acero cincado  
Base plate: Steel zinc-plated

Acc.34903i : Placa base: Acero inox.  
Base plate: Stainless Steel

Acc.34906 : Apoyo silent-block, hasta 750 kg /  
Silent-block bearing up to 750 kg

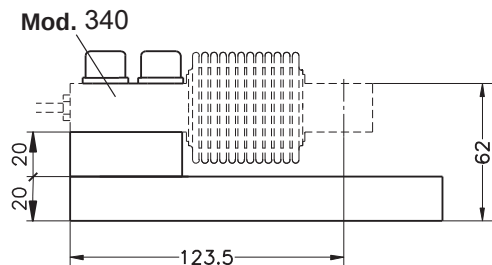
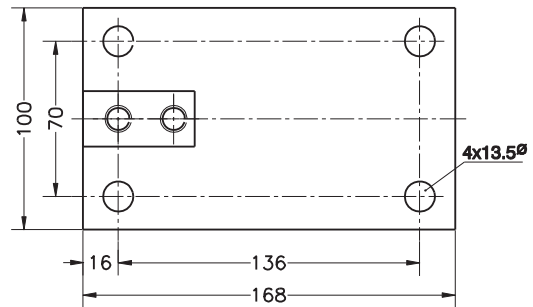
Acero inox. / Stainless Steel

750 kg max.



Peso transporte - Transport weight: 0.5 kg

Dimensiones en mm. Dimensions in mm.



Peso transporte - Transport weight: 3 kg

TELEMETRIX SAS FRANCE, BP1118 FR-78370 PLAISIR

Tel. (+33) (0) 972 11 00 03 Fax (+33) (0) 972 11 00 57 www.telemetrix.fr contact@telemetrix.fr

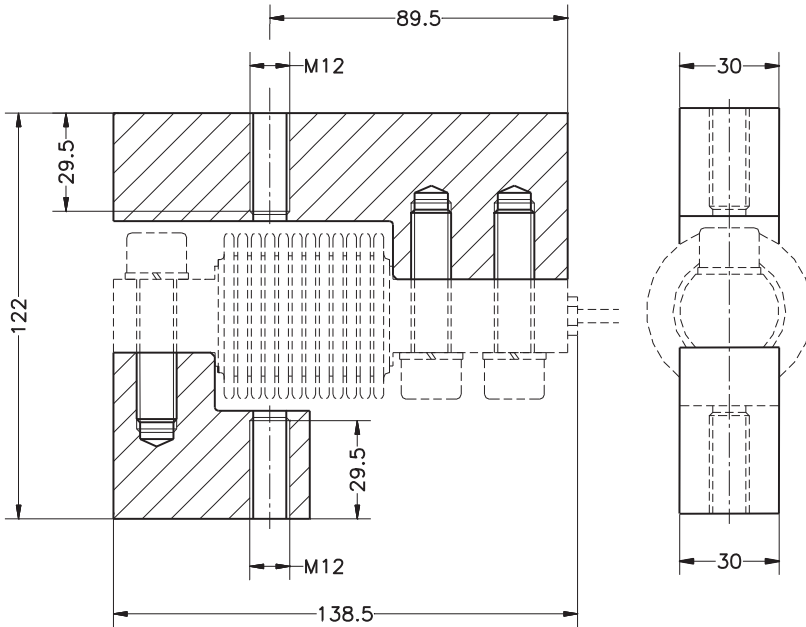


TeleMetrix

# ACC.34905

## TENSION ACCESSORIES FOR MODEL 340

### Acc. 34905



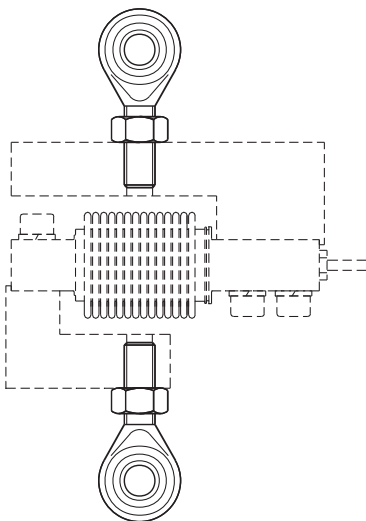
**Material: Acero cincado**

**Material: Steel alloy zinc-plated**

Dimensiones en mm. Dimensions in mm.

Peso transporte - Transport weight: 1.9 kg

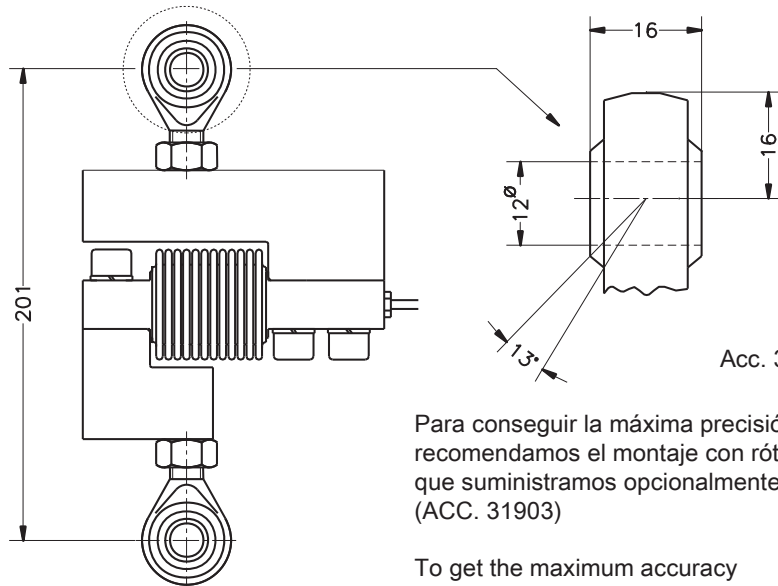
### Acc. 31903



**Acero cincado  
Steel alloy zinc-plated**

Peso transporte - Transport weight: 0.4 kg

### Mod. 340 + Acc. 31903 + Acc. 34905



Acc. 31903

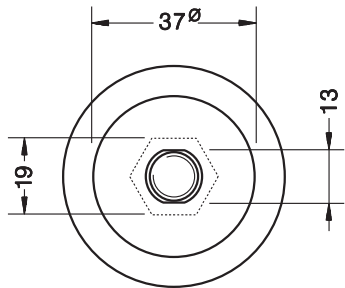
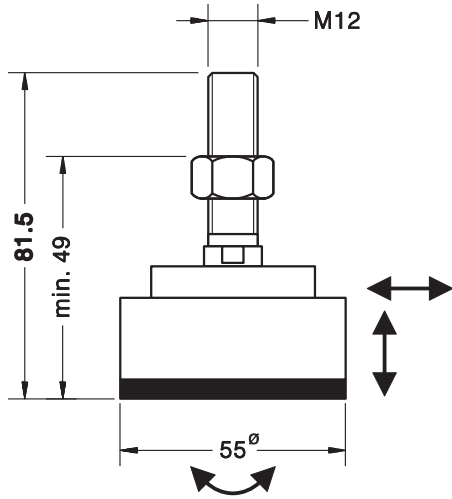
Para conseguir la máxima precisión, recomendamos el montaje con rótulas, que suministramos opcionalmente (ACC. 31903)

To get the maximum accuracy we recommend the use of the rod ends that we optionally supply (ACC. 31903)

TELEMETRIX SAS FRANCE, BP1118 FR-78370 PLAISIR

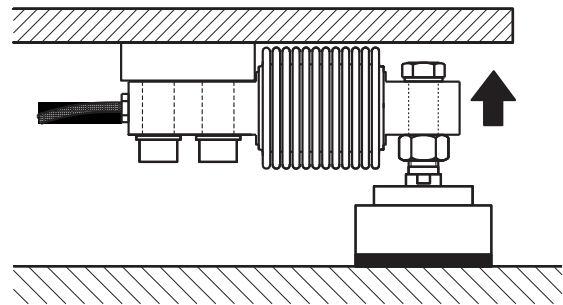
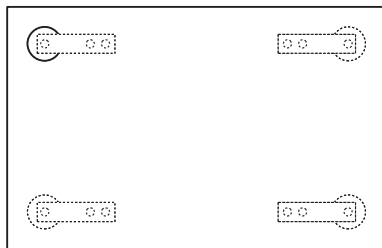
Tel. (+33) (0) 972 11 00 03 Fax (+33) (0) 972 11 00 57 [www.telemetrix.fr](http://www.telemetrix.fr) [contact@telemetrix.fr](mailto:contact@telemetrix.fr)

## LOAD FOOT ACCESSORY FOR MODELS 340-350



**Materiales: Acero inoxidable y goma natural**

**Materials: Stainless Steel and Rubber**



Dimensiones en mm. Dimensions in mm.

Peso transporte - Transport weight: 0.33 kg

**TELEMETRIX SAS FRANCE, BP1118 FR-78370 PLAISIR**

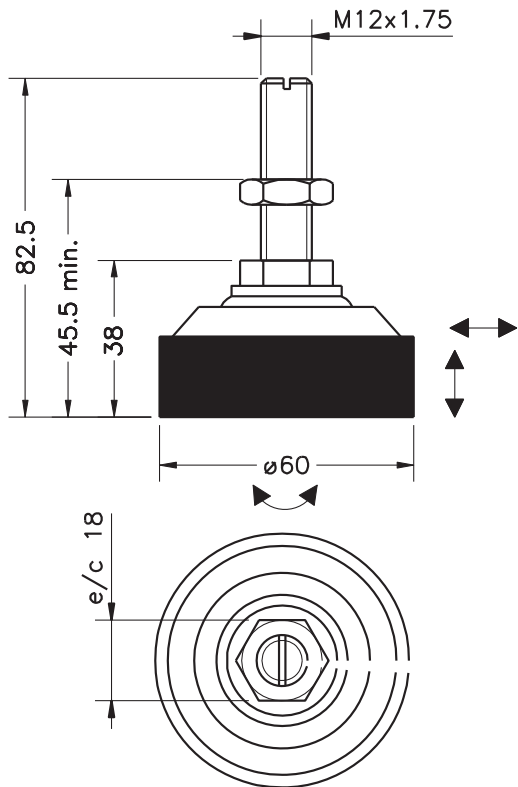
**Tel. (+33) (0) 972 11 00 03 Fax (+33) (0) 972 11 00 57 [www.telemetrix.fr](http://www.telemetrix.fr) [contact@telemetrix.fr](mailto:contact@telemetrix.fr)**



TeleMetrix

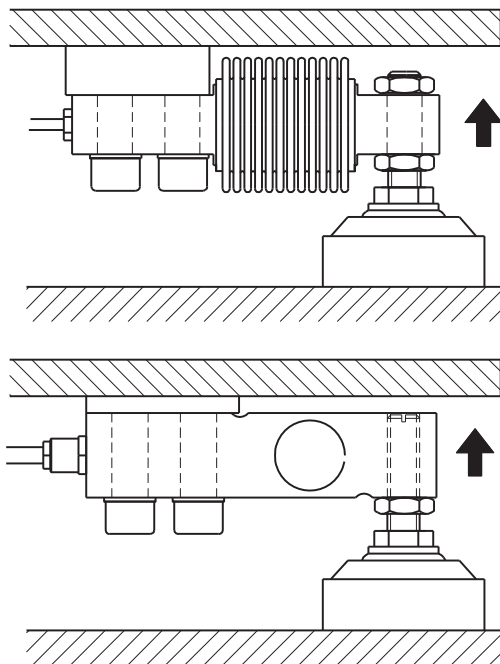
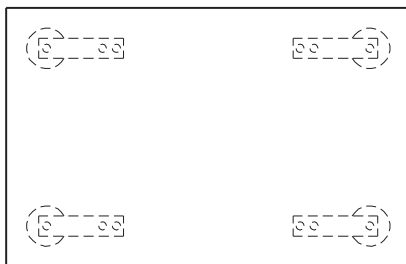
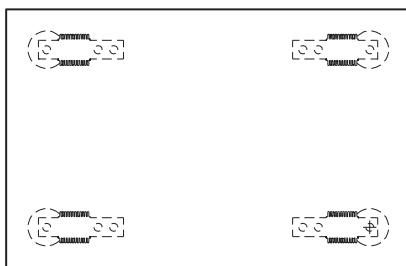
ACC.FT12i

# LOAD FOOT ACCESSORY FOR MODELS 340-350



**Materiales: Acero inoxidable y goma natural**

**Materials: Stainless Steel and Rubber**



Mod. 340  
+  
Acc. FT12i

Mod. 350  
(300...2000 kg)  
+  
Acc. FT12i

Dimensiones en mm. Dimensions in mm.

Peso transporte - Transport weight: 0.42 kg

TELEMETRIX SAS FRANCE, BP1118 FR-78370 PLAISIR

Tel. (+33) (0) 972 11 00 03 Fax (+33) (0) 972 11 00 57 [www.telemetrix.fr](http://www.telemetrix.fr) [contact@telemetrix.fr](mailto:contact@telemetrix.fr)