



Série
FD

Détecteur à flotteurs magnétique

Magnetic Float Level Switch



www.direct-mesure.fr

Pour produits Liquide
For liquid application

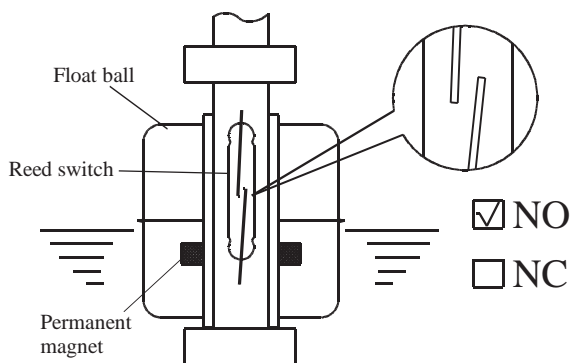
INTRODUCTION

PRINCIPLE

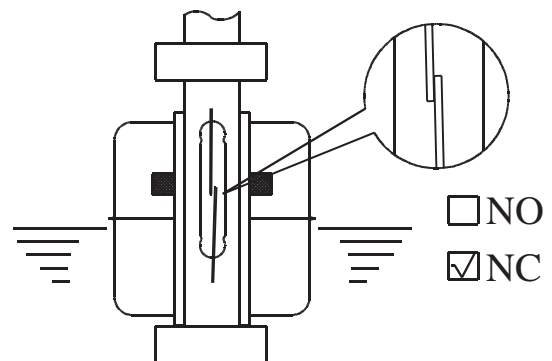
The single unit or multiple reed switch units are housed tightly in stainless steel or engineering plastic stem, and the permanent magnet is sealed into the middle of the specified float ball(s). You can mount the float ball to penetrating through the stem, then the liquid buoyancy will deliver the float ball up and down at the specified position by graduating rings.

When the float internal magnet approaches the reed switch, it will actuate the reed switch contact point to create an open or close circuit. We can apply such on-off output signals to reach liquid level controlling and monitoring purpose.

The figures below show the float orientations on N.O. (Normal Open) and N.C. (Normal Close).



Rising float ball to actuate the reed switch



Rising float ball to switch off.

FEATURES

- ★ Multiple points measuring, multiple level points could be for custom-made.
- ★ Employing the magnet to actuate the reed switch requires no power. Life expectancy of each contact can reach up to 2 million times.
- ★ All output signal wiring are simplified in same junction box (housing) to economize the external wiring construction.
- ★ FC(D) type magnetic float level switches are more cost-effective than other level switches in terms of multiple points.
- ★ The housing protection is at least IP65.
- ★ Rugged construction and multiple options for materials from engineering plastics as PVDF, PP, PVC, and stainless steels such as SUS304, SUS316, float switches can be applied to versatile applications in chemical corrosion of acidity and alkalinity liquid, solvents or oil fuels.
- ★ The reed switch and lead wire are isolated with liquids absolutely. All stainless steel switches are applicable to high pressure and high temperature environment.

APPLICATIONS

Shipbuilding Industry, Generator Facilities, Petrochemical Industry, Food/Beverage Industry, Waste Water/Water Purified Facilities, Electronic Industry, Dyeing and Finishing Industry, Chemical Industry, Rubber/ Plastic Industry, Hydraulic.

SPECIFICATION

Tube Type	Material	Switching Contact from	Switching Capacity Max.	Switching Voltage Max.	Switching Current Max.	Carry Current Max.
OD8	SUS	SPST	50W	300Vac/350Vdc	0.5A	2.5A
	PVC	SPDT	20W	150Vac/200V dc	1A	2A
OD9.5	SUS	SPST	50W	300Vac/350V dc	0.5A	2.5A
		SPDT	20W	150Vac/200V dc	1A	2A
OD12.7	SUS	SPST	60W	220Vac/500V dc	3A	4A
		SPDT	60W	400Vac/1000V dc	1A	2A
OD16	PVDF	SPST	60W	220Vac/500V dc	3A	4A
		SPDT	60W	400Vac/1000V dc	1A	2A
OD17.2	PP	SPST	60W	220Vac/500V dc	3A	4A
		SPDT	60W	400Vac/1000V dc	1A	2A

※Reed switches of UL approval are 240Vac/ 200Vdc, 50w,0.5A.

APPLICATION FIELDS OF FLOAT

Environments Float	Working Temp.	Pressure Rating	Acid	Alkaline	Oil	Solvent
SUS304	- 20°C~120°C (200°C Max.)	10~ 30kg/cm ²	×	△	◎	◎
SUS316	- 20°C~120°C (200°C Max.)	10~ 30kg/cm ²	△	○	◎	◎
Polypropylene	-20°C~80°C	4kg/cm ²	○	○	○	×
PVDF	-20°C~120°C	3kg/cm ²	◎	◎	○	○

Note: ◎ = Excellent ○ = Good △ = Acceptable × =Not good (S10 resistance:50 kg)

CHEMICAL RESISTANCE

● Excellent ○ Good △ Fair × Corroded

Chemical	Concentration %	Temp		Plastic				Rubber		Stainless	
		°C	°F	PVC	PP	PVDF	PTFE	NBR	304	316	
Ammonia Water NH ₄ OH	10	40	104	●	●	●	●	○			
	10	80	176		○	●	●				
Aque Regia 3HCl+HNQ	10	40	104	△	△	●	●				
	10	80	176			●	●				
Benzene C ₆ H ₆	Pure	40	104	×	△	○	●				
		80	176			△	●				
Bleaching Liquor Ca(ClO ₂)	5	40	104	●		●	●				
	5	80	176			●	●				
	20	40	104	●		●	●				
	20	80	176			●	●				
Boric Acid H ₃ BO ₃	Satu	40	104	●	●	●	●	●			
		80	176			●	●	○			
Brine		40	104	●	●	●	●	●			
		80	176		●	●	●				
Butadiene CH ₂ =CH=CH=CH ₂	Gas	40	104	●		●	●	△			
		80	176			●	●				
Butane CH ₃ (CH ₂) ₂ CH ₃	Gas	40	104	●	●	●	●				
		80	176		●	●	●				
Nitric Acid HNO ₃	10	40	104	●	●	●	●	●	●	●	
	10	80	176	×	○	●	●		●		
	30	40	104	●	●	●	●		●	●	
	30	80	176	×	○	●	●		●	●	
	50	40	104	○	○	●	●		●	●	
	50	80	176	×	×	○	●				
	70	40	104	○	×	●	●		○	●	
	70	80	176	×		○	●				
	98	40	104			○	○				
	98	80	176				△				
Oxalic Acid HOOC-COOH	20	40	104	●	●	●	●	●		△	
	20	80	176		●	●	●				
	50	40	104	●	●	●	●			△	
	50	80	176		●	●	●				
Phosphoric Acid H ₃ PO ₄	10	40	104	●	●	●	●	●	●	●	
	10	80	176		○	●	●	△	●	●	
	50	40	104	●	●	●	●	●	●	●	
	50	80	176		△	○	○	×	●	●	
	80	40	104	●	○	●	●	○	●	●	
80	80	176		△	●	●		●	●		
Butane CH ₃ (CH ₂) ₂ CH ₃	Gas	40	104	●	●	●	●				
		80	176		●	●	●				
Sodium Hydroxide NaOH	15	40	104	●	●	●	●	●	●	●	
	15	80	176		○	△	●	△	×	×	
	30	40	104	●	●	●	●	●	●	●	
	30	80	176		○	△	●	●	×	×	
	50	40	104	●	●	○	●	●	●	●	
	50	80	176		○	×	●	●	×	×	
	70	40	104	○	○	○	●				
	70	80	176		○	×	●				

Chemical	Concentration %	Temp		Plastic				Rubber		Stainless	
		°C	°F	PVC	PP	PVDF	PTFE	NBR	304	316	
Sodium Hypochlorite NaClO	3	40	104	●	○	●	●			△	○
	3	80	176								
	5	40	104	●	○	●	●			△	○
	5	80	176								
	7	40	104	●	△	○	●			×	×
	7	80	176								
	10	40	104	●	△	●	●			×	×
10	80	176									
13	40	104	●	△	●	●				×	
13	80	176									
Sulfuric Acid H ₂ SO ₄	10	40	104	●	●	●	●	●	●	●	●
	10	80	176		●	●	●	○	○	○	
	30	40	104	●	●	●	●	●	×	×	
	30	80	176		●	●	●	○	×	×	
	50	40	104	●	●	●	●	○	×	×	
	50	80	176		●	●	●	△	×	×	
	60	40	104	●	●	●	●	●	×	×	
	60	80	176		○	●	●	○	×	×	
	70	40	104	●	●	●	●	○	×	×	
	70	80	176		○	●	●	△	×	×	
	80	40	104	●	●	●	●	○	×	×	
80	80	176		○	●	●	△				
90	40	104	○	●	●	●	△	×	×		
90	80	176		○	●	●	△				
98	40	104	△		●	○		○	○		
98	80	176			△	○					
Toluene C ₆ H ₅ CH ₃		40	104		△	●	●				
		80	176				○				
Chlorine Gas Cl ₂	Wet	40	104	○		●	●				
	Wet	80	176			△	●				
	Dry	40	104	●		●	●				
	Dry	80	176			●	●				
Chromic Acid H ₂ CrO ₄	10	40	104	●		●	●				
	10	80	176			●	●				
	20	40	104	△		●	●				
	20	80	176			●	●				
	40	40	104	△		●	●				
	40	80	176			●	●				
	50	40	104	×		●	●				
50	80	176			△	●					
Hydrochloric Acid HCl	15	40	104	●	●	●	●	○			
	15	80	176		●	●	●				
	25	40	104	●	●	●	●	×			
	25	80	176		●	●	●				
	35	40	104	●	●	●	●	×			
	35	80	176		○	●	●				
	38	40	104	●	●	●	●	×			
	38	80	176		○	●	○				

● Excellent ○ Good △ Fair × Corroded

Chemical	Concentration %	Temp		Plastic				Rubber	Stainless	
		°C	°F	PVC	PP	PVDF	PTFE	NBR	304	316
Citric Acid $C_6H_8O_7$	10	40	104	●	●	●	●	●	●	●
	10	80	176	○	●	●	●	●		
Gasoline	10	40	104	●		●	●			
	10	80	176			●	●			
Diesel Fuels		40	104			●	●		●	●
		80	176			●	●		●	●
Ethyl Alcohol C_2H_5OH	Pure	40	104	●	●	●	●	●	○	○
		80	176		○	●	●	○		
Formic Acid $HCOOH$	90	40	104	○	○	●	●			
		80	176			●	●			
Hydrofluoric Acid HF	Dilute	40	104	●	○	●	●			
		80	176		○	●	●			
	30	40	104	○	○	●	●			
		80	176	×	○	●	●			
	40	40	104	△	○	●	●			
		80	176		○	●	●			
	50	40	104	△	○	●	●			
		80	176		○	●	●			
Hydrogen peroxide H_2O_2	5	40	104	●	●	●	●		○	●
		80	176		○	●	●			
	20	40	104	●	●	●	●			
		80	176		○	●	●			
	30	40	104	○	○	●	●			
		80	176		△	●	●			
	50	40	104	△	×	●	●			
		80	176			●	●			
	90	40	104			●	●			
		80	176			●	●			
Isopropyl Alcohol $(CH_3)_2CHOH$	Pure	40	104	●	●	●	●	○		
		80	176			●	●			
Kerosene		40	104	●	○	●	●			
		80	176			●	●			
Methyl Alcohol CH_3OH		40	104	○	●	●	●	△		
		80	176		○	●	●			
Methyl Ethyl Ketone $CH_3COCH_2H_3$		40	104		△		●			
		80	176				●			
Potassium Chromate K_2CrO_4		40	104	●	●	●	●	●		
		80	176		○	●	●	○		

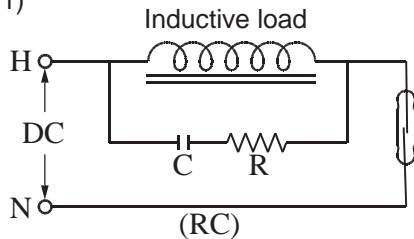
CONTACT PROTECTION CIRCUITS

INDUCTIVE LOADS

When using a reed switch with inductive loads such as motors, relays, solenoids, etc., The contact will be subjected to a high induced voltage during opening of the contact (load circuit).

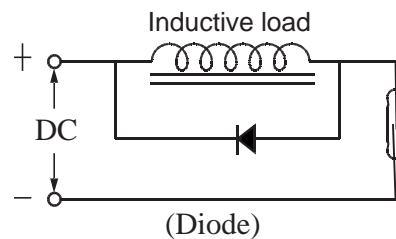
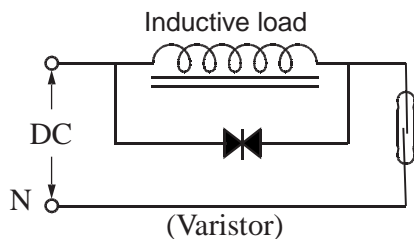
Such high induced voltage (transients) may cause damages to the reed switch or significantly reduce its life. Therefore, protective circuits such as: RC (snubber), varistors or clamping diodes are recommended.(refer to Fig.1)

(Fig.1)



$$C = \frac{I^2}{10} \text{ (uF)}$$

$$R = \frac{E}{10I(1 + \frac{50}{E})}$$



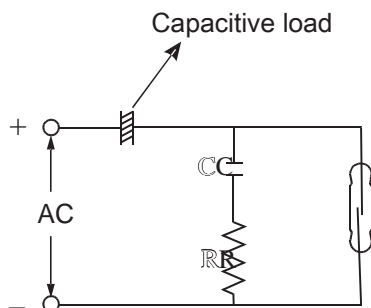
. It is prohibited to connect directly with any solenoid valve, motor or magnetic switch.

CAPACITIVE LOADS

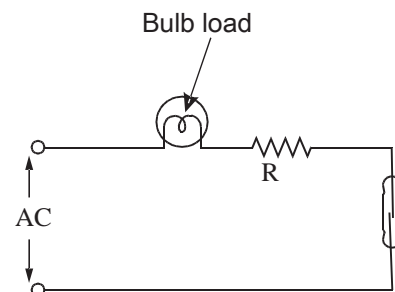
When using a reed switch with capacitive loads such as capacitors, incandescent lamps or long cables, the contact will be subjected to a high surge (inrush) current.

Therefore, protective circuits such as: surge suppressors or current limiting resistors are recommended.(refer to Fig.2)

(Fig.2)



Parallel connection of RC circuit and switch will surge current bypass.



Series connection of resistance and switch limit surge current.

HOUSING SPECIFICATION

B

Material : Aluminum
Enclosure : IP65
Terminals : 2~12
Max.Temp.: -20°C ~200°C

C

Material : PP+Fiber
Enclosure : IP65
Terminals : 2~12
Max.Temp.: -20°C ~80°C

D

Material : Aluminum
Enclosure : IP65
Terminals : 2~12
Max.Temp.: -20°C ~200°C

E

Material : Aluminum
Enclosure : IP65
Terminals : 2~6
Max.Temp.: -20°C ~200°C

G

Material : PC
Enclosure : IP65
Terminals : 2~6
Max.Temp.: -20°C ~80°C

H

Material : Aluminum
Enclosure : IP65
Terminals : 2~12
Max.Temp.: -20°C ~100°C

*For side-mounting float series.

K Explosion-proof

Material : Aluminum
Enclosure : INERIS 09 ATEX 0049
II 2GD Ex d IIC T4~T6
Terminals : 2~6
Max.Temp.: -20°C ~100°C

L Explosion-proof

Material : Aluminum
Enclosure : INERIS 09 ATEX 0049
II 2GD Ex d IIC T4~T6
Terminals : 2~6
Max.Temp.: -20°C ~90°C

*For flow switch series.

M

Material : SUS316
Enclosure : IP65
Terminals : 2~6
Max.Temp.: -20°C ~200°C

*For side-mounting float series.

N

Material : SUS316
Enclosure : IP65
Terminals : 2~6
Max.Temp.: -20°C ~200°C

X

Material : Aluminum
Enclosure : IP65
Terminals : 2~6
Max.Temp.: -20°C ~100°C

Cable Conduit Ex d IIC

Material: Washer ---NBR
Body--- Aluminum (3/4" NPT)
Nickel plated (1/2" NPT)

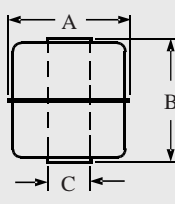
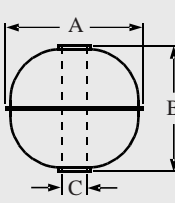
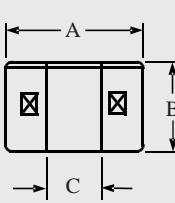
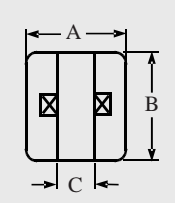
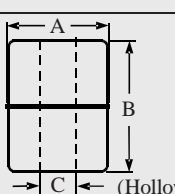
29-1104

29-1108



Remark 1 : Cable conduit is optional. Contact us if needed.

FLOAT SPECIFICATIONS

MODEL	TYPE	f A xBxf C	S.G.	Max. Pressure (kg/cm ²)	Weight (g)	Material/Color	Max. Temp. (LC)
	S1	28x28x9.5	E>0.7	10	8	SUS 304 / 316L	200
	S3	45x55 ±5	E>0.65	12	37.6	SUS 316	200
	S6	75x108 ±0	E>0.5	10	165	SUS 304	200
	S13	38x50x15	E>0.62	12	22.9	SUS 316L	200
	S2	41x38 ±1	E>0.7	35	19.5	SUS 316	200
	S4	52x52 ±5	E>0.55	30	33.4	SUS 316	200
	S5	75x73 ±0	E>0.65	30	102.4	SUS 316	200
	S7	30x28 ±0.5	E>0.82	25	8	SUS 304 / 316L	200
	S8	100x100 ±0	E>0.5	15	249.7	SUS 304	200
	S9	150x150 ±0	E>0.45	15	534	SUS 304	200
	S10	30x32 ±0.5	E>0.82	50	8.6	SUS 316	200
	S11	28x32 ±0.5	E>0.82	30	8.1	SUS 316	200
 (Hollow)	P1	25x15 ±0	E>0.65	4	3.5	PP / white black	80
	P2	25x25 ±0	E>0.7	4	5	PP / white black	80
	P3	48x45 ±8.5	E>0.6	5	35.5	PP / black	80
	P4	20x25 ±0	E>0.7	4	3.7	PP / black	80
	P5	20x20 ±0.1	E>0.75	4	4	PP / black	80
	P8	18.2x15.3 x7.2	E>0.8	4	1.82	PP / black	80
 (Foam)	Q6	20x20 ±0.5	E>0.75	ATM	3.5	PP / white	80
	Q7	25x25 x8.8	E>0.7	ATM	6.7	PP / white	80
	N1	25x15 ±0	E>0.5	ATM	2.7	NBR / black	100
	N2	18.5x26 ±0	E>0.7	ATM	3.3	NBR / black	100
	N3	19x20 ±0	E>0.55	ATM	2.4	NBR / black	100
	N4	17.5x25 x10	E>0.65	ATM	2.5	NBR / black	100
	N5	30x45x12.8	E>0.5	ATM	11.5	NBR / black	100
 (Hollow)	F2	42x44 ±4	E>0.63	5	18.5	PP	80
	F3	45x45 ±0	E>0.65	5	35.7	PP	80
	F4	48x62x8	E>0.8	5	65.3	PVDF	120

※E>0.8 when F4 float used in FC Series. E>0.75 when F4 float used in FG Series.

ORDER SPECIFIED

THE PROPERTIES BETWEEN LIQUID AND FLOAT

Please choose the proper float subject to above independent specified terms and chemical characters.

1. Temperature: PVDF Max. 120 EC,
PP Max. 80 EC,
SUS304/ 316 Max. 200 EC

2. Pressure: SUS304/ 316 Float, Max. 35kg/cm²
Engineering plastic, Max. 5kg/cm²
(S10 float Max. 50kg)

3. Viscosity: Please choose smaller S.G. with greater diameter floats to cope with high viscosity liquid applications.

4. Chemical: Please use plastic float for acid/alkaline corrosion of chemical applications. PVDF float is noted for high temperature cases.

5. Benzine: Please choose stainless steel floats to apply in any gasoline, fuel oil, petroleum application.

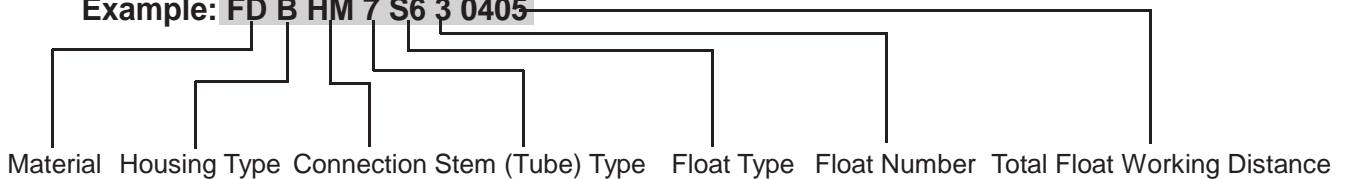
6. S.G.: The float S.G. Must be smaller than the liquid, otherwise, the liquid buoyancy can not deliver the float upward.

Buyer's guide :

The magnetic level switch can be done as per customer's specified technical data such as the flange, thread, housing, float ball diameter, float ball number, the float traveling up or down actuated position by N.C. or N.O. output, the total float working distance (L) or each

independent float actuating position, please refer the order information to define the application specifications. A single ball driving multiple actuated points is available to apply on the order form.

Example: FD B HM 7 S6 3 0405



It is requested the minimum interval for a single ball driving dual actuated positions (D) or neighboring two balls (B), or from the bottom to the lowest ball interval (C) or from the mounting position to the first ball (A), otherwise, there will be some magnetic mutually interference involved by insufficient interval. To ensure the defined distance, please see the data below:

A= Minimum distance from the mounting position to the highest actuation level.

B= Minimum distance between any two actuation levels.

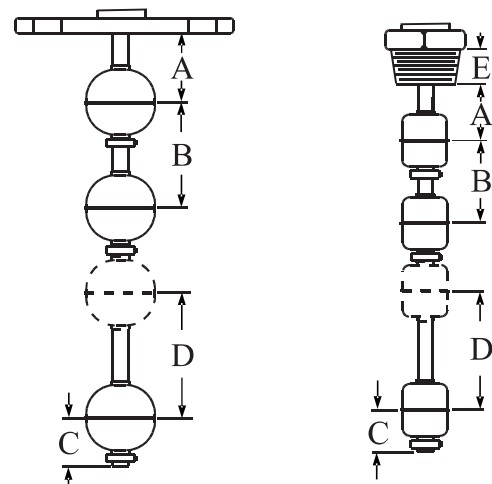
C= Minimum distance from end of the lowest level.

D= Minimum distance between two actuation levels by one float.

E= Screw length

FLOAT TYPE	S1	S2	S3	S4	S5	S6	P1	P2	P3	F4
A(mm)	25	32	40	39	50	70	23	27	47	55
B(mm)	50	64	82	78	99	136	44	55	85	98
C(mm)	25	32	40	39	50	70	23	31	43	50
D(mm)	30	40	55	50	65	70	30	30	45	65

SCREW	1/2"	3/4"	1"	1-1/4"	1-1/2"	2"	2-1/2"	3"
(E) (mm)	14	16	19	22	22	25	28	32



HOW TO MAKE YOUR ORDER

F D B H M 7 S 6 3 0500 A (T)

P: Pipe Shield
R: Sensor
T: Test Rod

Contact Form

A: SPST C: SPDT F: 1 float 2 points
G: 1 float 3 points —: No contact

Length:(L) Unit=mm

0500: below 500mm
1000: 501~1000mm
1500: 1001~1500mm ※ 500mm/per unit

Quantity of float (1~4)

Float Type (Please refer page 7)

F2, F3, F4
P1,P2, P3, P4
S1, S2, S3, S4, S5, S6, S7, S0(S10)
Q7, N1, N2, N3, N4, N5

Stem

Code size	Material	Code size	Material	Code size	Material
0: f 8	PP	6: f 16	PVDF	A: f 8	SUS316
1: f 8	SUS304	7: f 17.2	SUS304	B: f 9.5	SUS316
2: f 8	PVC	8: f 12.7	P.P.	C: f 12.7	SUS316
3: f 9.5	SUS304	9: f 12.7	PVC	D: f 17.2	SUS316
4: f 12.7	SUS304			E: f 8	PFA
5: f 17.2	P.P.			S: special	

Connection Type

Housing Type

B: AL. (Big space)
C: PP (Anti-acidity)
D: Aluminum
E: AL. (Small space)
G: PC (Anti-acidity)
D: Aluminum
K: AL.
N: SUS304 or SUS316
P: Plastic IP65
-: Without housing
2: Without housing (Side Mounting)

Size for flange or screw	
A: 3/8" (10A)	I: 4"(100A)
B: 1/2" (15A)	J: 5"(125A)
C: 3/4" (20A)	K: 6"(150A)
D: 1" (25A)	S: Others
E: 1-1/2"(40A)	1: 1/8"
F: 2" (50A)	2: 1/4"
G: 2-1/2"(65A)	3: 1-1/4"(32A)
H: 3" (80A)	

Pressure range or other
M: 5kg/cm ² JIS
N: 10kg/cm ² JIS
O: 150Lbs ANSI
P: 300Lbs ANSI
Q: PT (Male)
R: PF(G) (Male)
T: BSP (Male)
U: NPT (Male)
S: Others
W: PN10 (10Bar)
X: PN16 (16Bar)
Y: PN25 (25Bar)
Z: PN40 (40Bar)
J :Adjustment screw
K:Adjustment flange
A: PT (Female)
B: PF (Female)
C: BSP (Female)
U: NPT(Female)

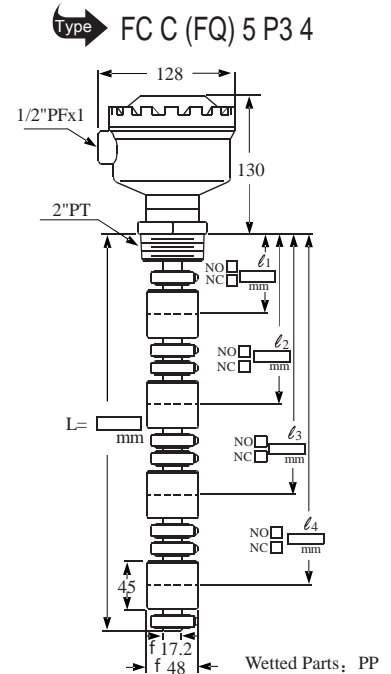
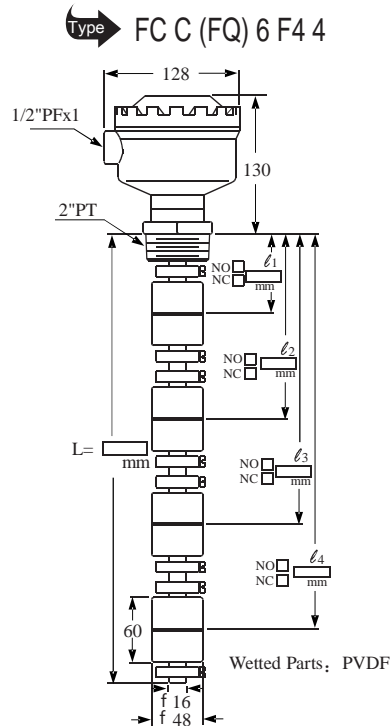
FC: Plastic (Stem)

FD: Metal (Stem)

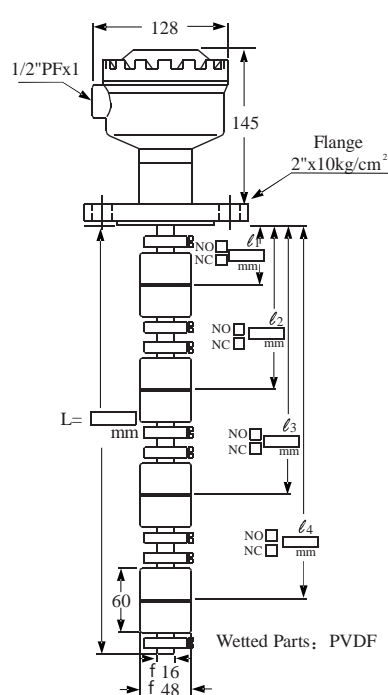
* Special term for LR Marine approval: "Environmental test has been carried out but it is not applicable to use in the ship and offshore that type of screw fittings is used for pipe exceeding 51mm outer diameter".

ANTI-CORROSION SCREW TYPE / FLANGE TYPE

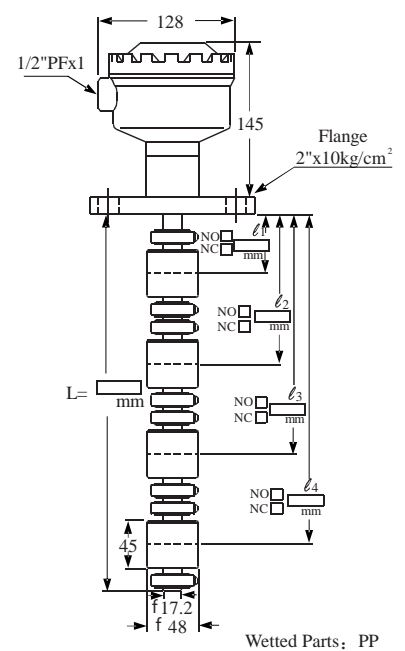
Housing material apply by PP, wet portion material options in PP, PVDF, specially applicable for chemical applications against corrosive environments.



Type → FC C (FN) 6 F4 4



Type → FC C (FN) 5 P3 4



Order information

Type Housing Type

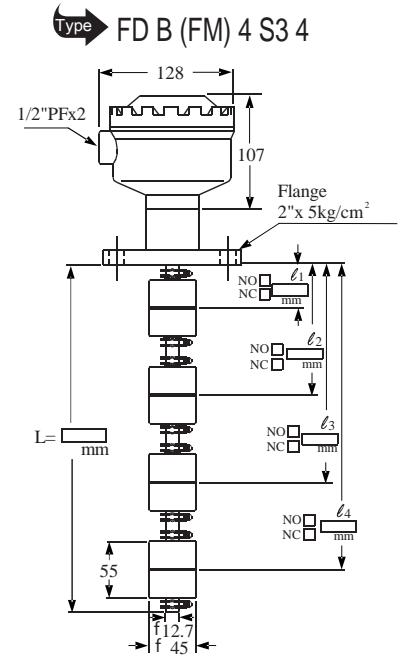
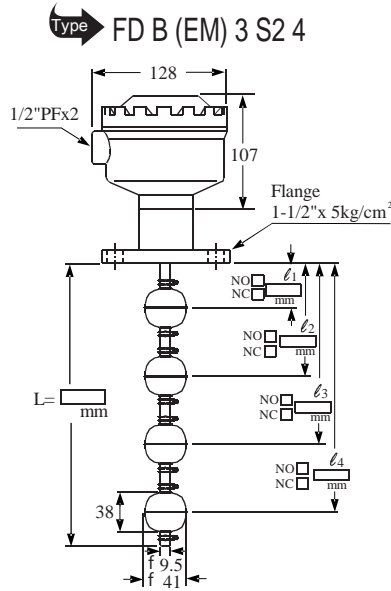
FC C (FQ) 6 F1 4

Connection Flanges	Pipe Diameter	Float Type	Float Quantity
FQ=2" PT	6= f 16	F4=PVDF f 48x60	1~ 4
FQ=2" PT	5= f 17.2	P3=PP f 48x45	1~ 4
FN=2" 10kg/cm ²	6= f 16	F4=PVDF f 48x62	1~ 4
FN=2" 10kg/cm ²	5= f 17.2	P3=PP f 48x45	1~ 4

※FCC(FQ) & (FN)2" flange/thread are available, too.

STANDARD FLANGE TYPE

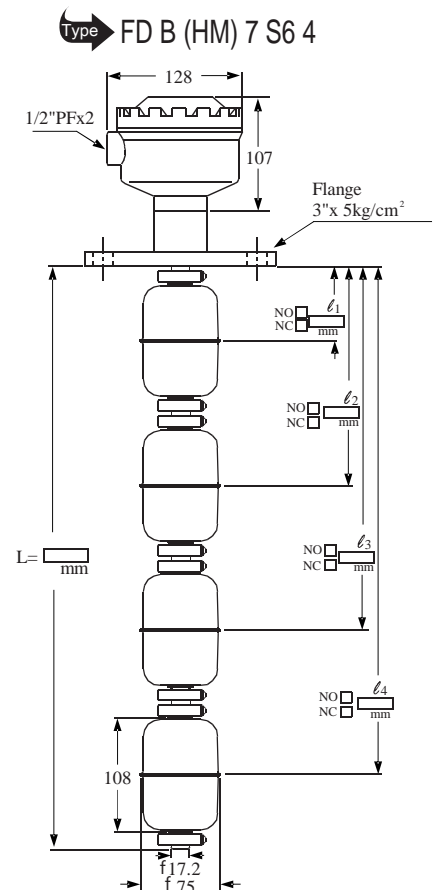
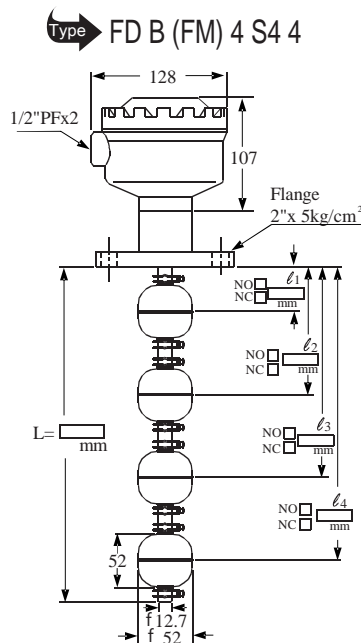
The housing complies with the IP65 rating and can therefore be used in outdoor environment.



Order information

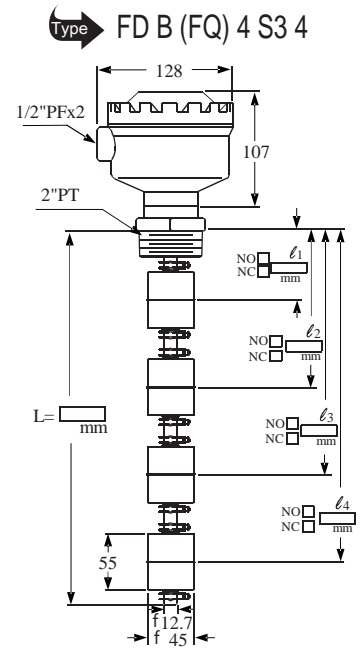
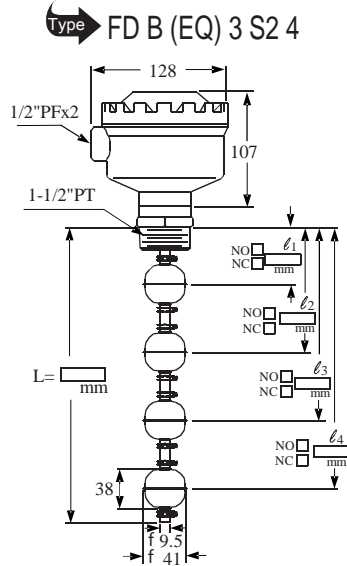
Type: **FD**
Housing Type: **B (HM)**
7 S6 4

Connection Flanges	Pipe Diameter	Float Type	Float Quantity
EM=1-1/2" 5kg/cm ²	3= f 9.5	S2= f 41x38	1~ 4
FM=2" 5kg/cm ²	4= f 12.7	S3= f 45x55	1~ 4
FM=2" 5kg/cm ²	4= f 12.7	S4= f 52x52	1~ 4
HM=3" 5kg/cm ²	7= f 17.2	S6= f 75x108	1~ 4



STANDARD SCREW TYPE

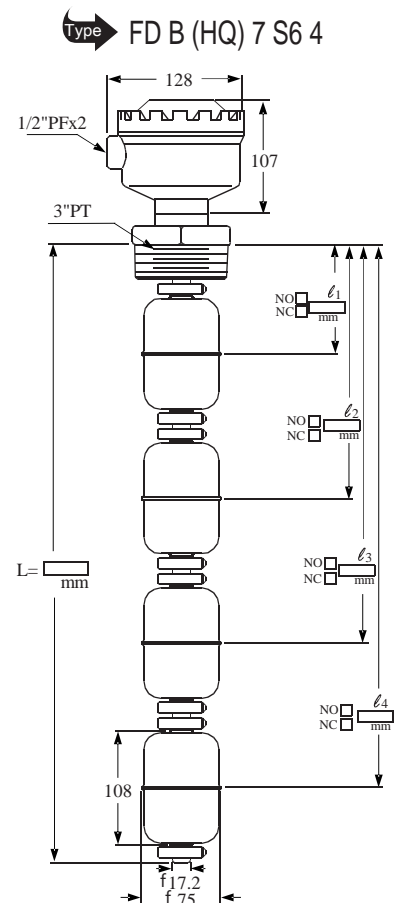
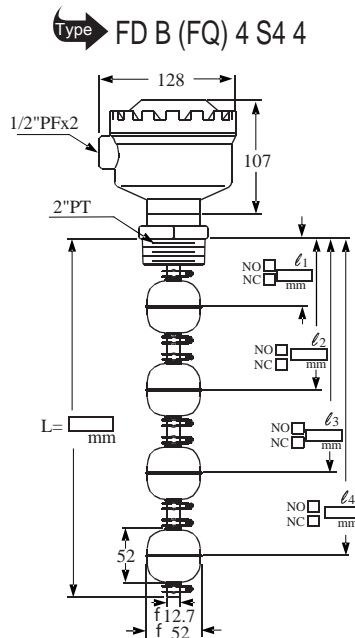
The housing complies with the IP65 rating and can therefore be used in outdoor environment.



Order information

Type: **FD B (HQ) 7 S6 4**
Housing Type

Connection Flanges	Pipe Diameter	Float Type	Float Quantity
EQ=1-1/2" PT	3= f 9.5	S2= f 41x38	1~ 4
FQ=2" PT	4= f 12.7	S3= f 45x55	1~ 4
FQ=2" PT	4= f 12.7	S4= f 52x52	1~ 4
HQ=3" PT	7= f 17.2	S6= f 75x108	1~ 4

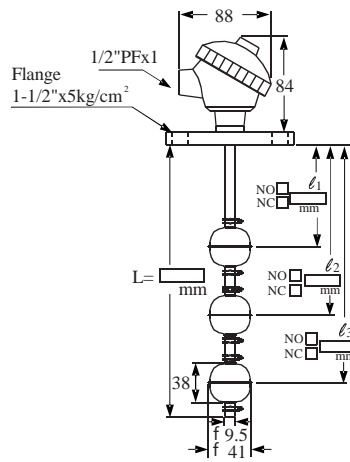


SCREW TYPE / FLANGE TYPE

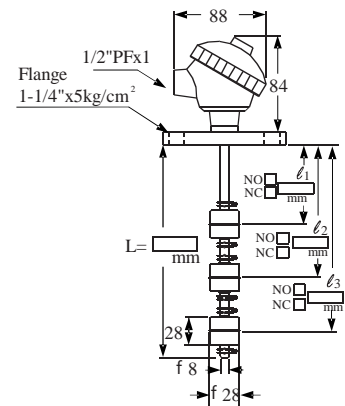
The housing complies with the IP65 rating and can therefore be used in outdoor environment.



Type → FD E (EM) 3 S2 3



Type → FD E (3M) 1 S1 3



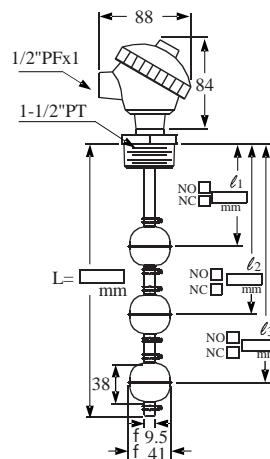
Order information

Type Housing Type

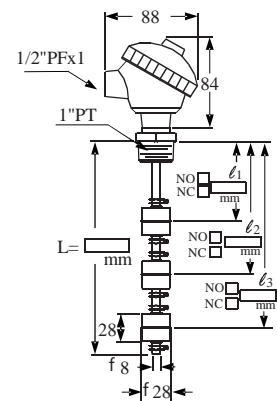
FD E (3Q) 1 S1 3

Connection Flanges	Pipe Diameter	Float Type	Float Quantity
EM=1-1/2" 5kg/cm²	3= f 9.5	S2= f 41x38	1~ 3
3M=1-1/4" 5kg/cm²	1= f 8	S1= f 28x28	1~ 3
EQ=1-1/2" PT	3= f 9.5	S2= f 41x38	1~ 3
DQ=1"PT	1= f 8	S1= f 28x28	1~ 3

Type → FD E (EQ) 3 S2 3



Type → FD E (DQ) 1 S1 3



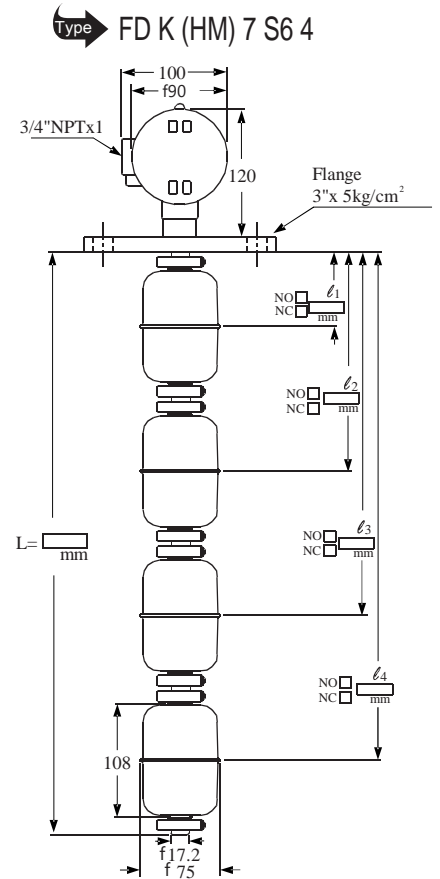
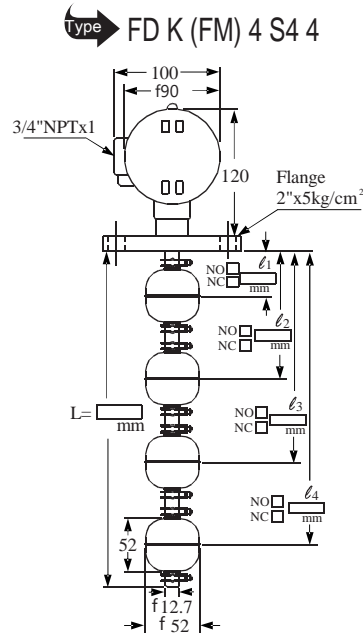
ENCLOSURE EXPLOSION PROOF

FLANGE TYPE

Order information

Type: **FD - K - HM - 7 - S6 - 4**
Housing Type: **FD - K - HM - 7 - S6 - 4**

Connection Flanges	Pipe Diameter	Float Type	Float Quantity
EM=1-1/2" 5kg/cm ²	3= f 9.5	S2= f 41x38	1~ 4
FM=2" 5kg/cm ²	4= f 12.7	S3= f 45x55	1~ 4
FM=2" 5kg/cm ²	4= f 12.7	S4= f 52x52	1~ 4
HM=3" 5kg/cm ²	7= f 17.2	S6= f 75x108	1~ 4

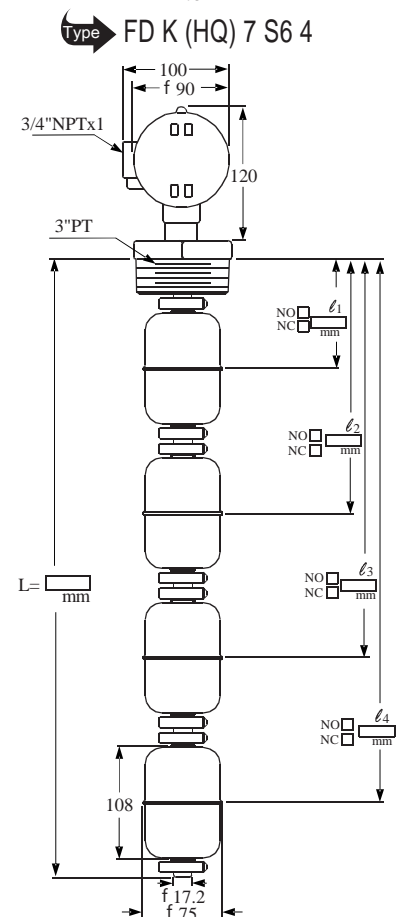
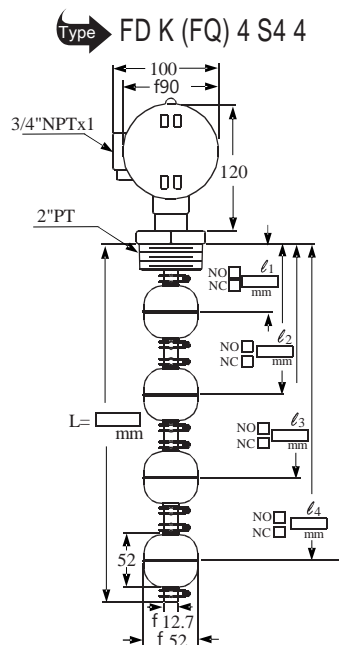


SCREW TYPE

Order information

Type: **FD - K - HQ - 7 - S6 - 4**
Housing Type: **FD - K - HQ - 7 - S6 - 4**

Connection Flanges	Pipe Diameter	Float Type	Float Quantity
EQ=1-1/2" PT	3= f 9.5	S2= f 41x38	1~ 4
FQ=2" PT	4= f 12.7	S3= f 45x55	1~ 4
FQ=2" PT	4= f 12.7	S4= f 52x52	1~ 4
HQ=3" PT	7= f 17.2	S6= f 75x108	1~ 4

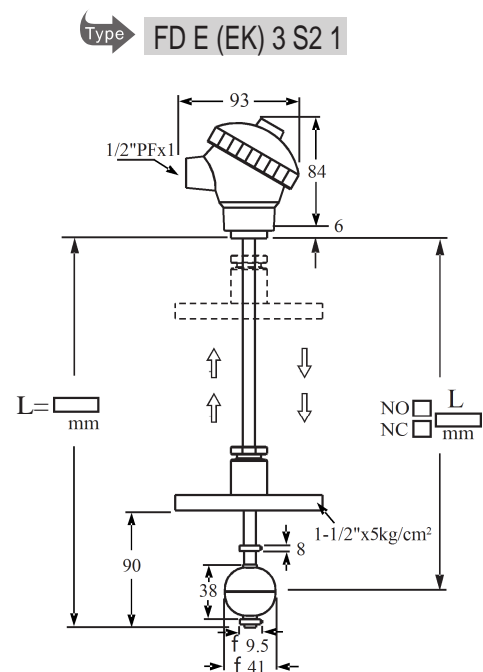
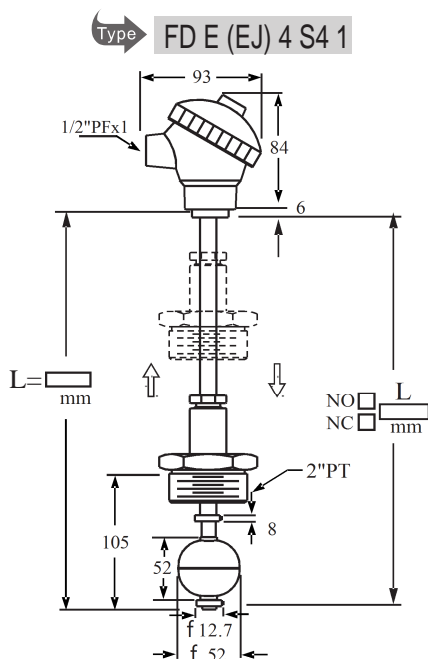


INERIS 09 ATEX 0049 Ex II 2GD Exd IIC T4~T6
 Ex IM2 ExdI ExtD A21
IP66 T85~135°C

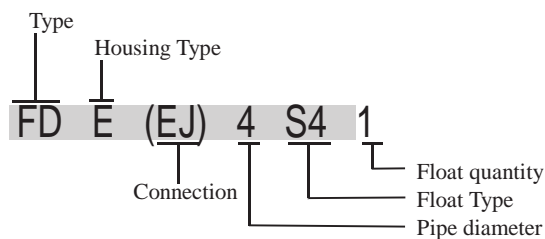
VERTICAL ADJUSTMENT TYPE

This is a special design for some liquid applications requiring monitoring different actuation levels frequently. The user needs only to loose the hexagon nut, then remove the mounted screw/ flange up or down to achieve the actuated level position adjustment.

- * Applicable at tank interior pressure under 5 kg/cm^2 .
- * Standard specification 80 BC, special order of max. 200 BC available.
- * Switch contact: 20W/150Vac /250Vdc SPDT
50W/300Vac /350Vdc SPST
60W/220Vac /500Vdc SPST
60W/400Vac /1000Vdc SPDT
- * Customer specified flange/ screw acceptable.



Order information



Connection	Pipe Diameter	Float Type
EJ=1-1/2" PT	3=f 9.5	S2= f 41x38
FJ=2" PT	4=f 12.7	S4= f 52x52
EK=1-1/2" 5kg/cm ²	3=f 9.5	S2= f 41x38

- * Please specify the ℓ_1 while placing an order.
(Length from lower end of housing to center line of float ball)

TEST ROD

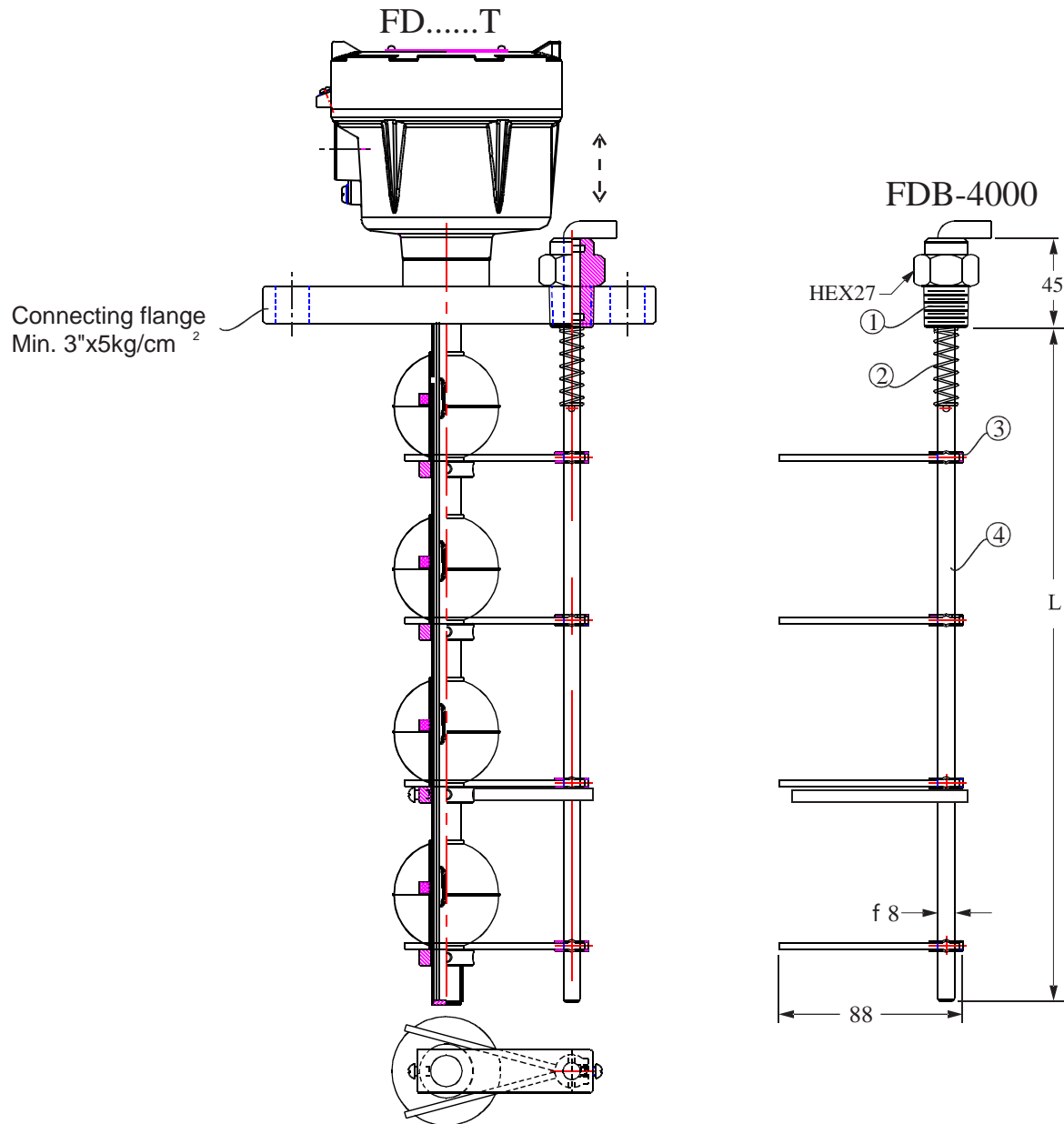
GL Marine Approval 50885-04HH

FUNCTION:

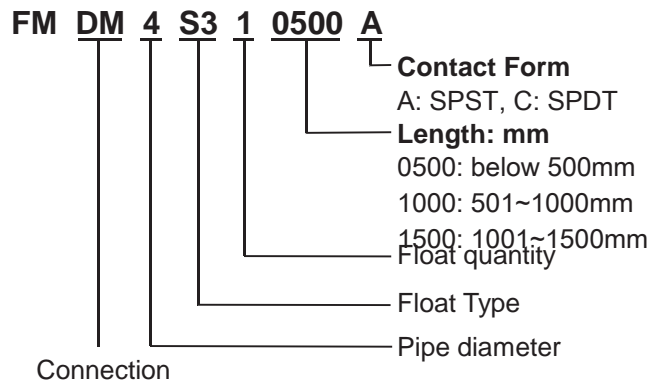
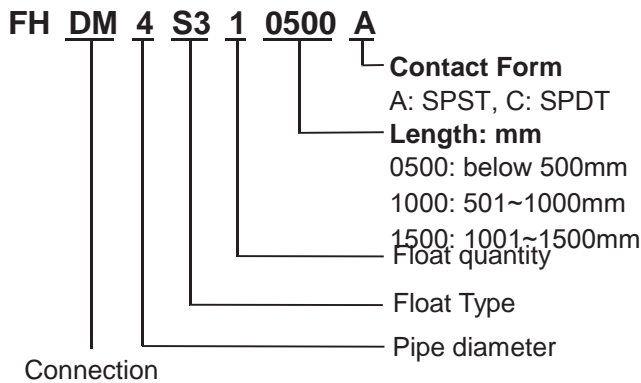
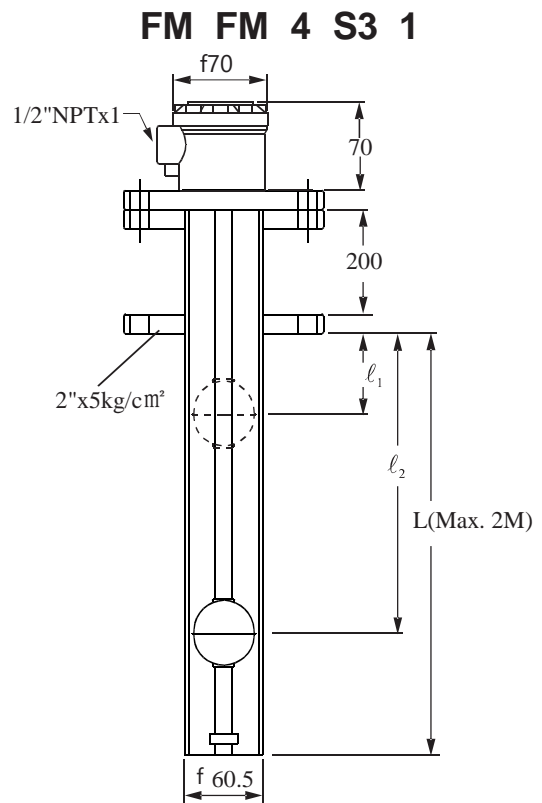
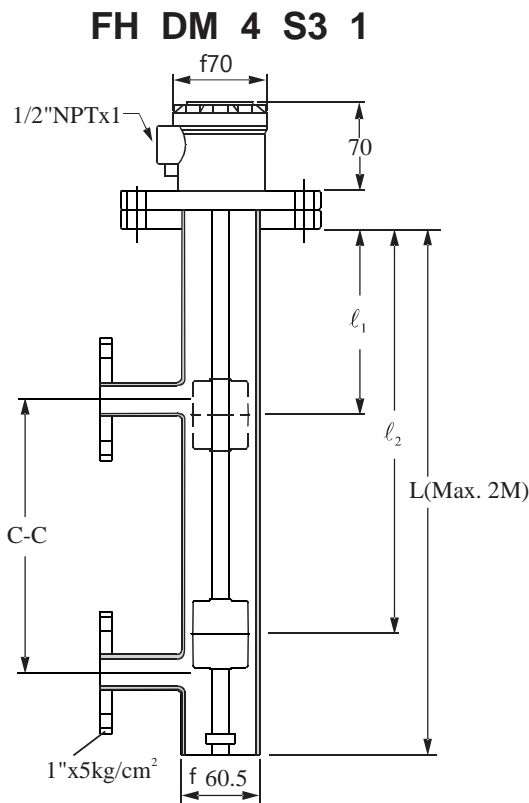
When the Test Rod is attached to a magnetic float level switch, user could test the performance of the magnetic switch directly by pulling the handle of the test rod on the top of the switch.

MATERIAL:

1. Rod Connection: Bronze
2. Compressed Spring: Stainless Steel
3. Positioning Clip: Stainless Steel
4. Test Rod Stem: Stainless Steel



MARINE GRADE APPROVAL



* Please specify the l_1 , l_2 , C-C and L while placing an order.
(Length from lower end of housing to center line of float ball)

Connection	Pipe Diameter	Float Type
DM=1"x 5kg/cm ²	4=f 12.7	S3=f 45x55
FM=2"x 5kg/cm ²	4=f 12.7	S4=f 52x52

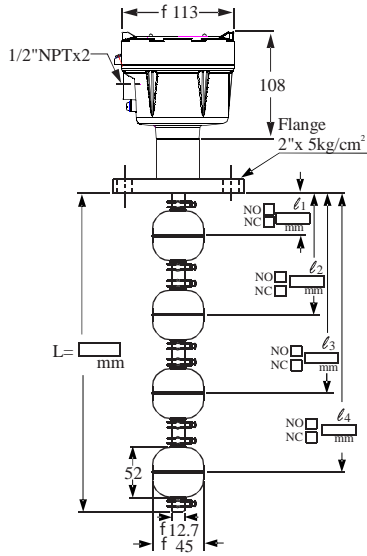
* Special term for LR Marine approval: "Environmental test has been carried out but it is not applicable to use in the ship and offshore that type of screw fittings is used for pipe exceeding 51mm outer diameter".

EXPLOSION PROOF TYPE

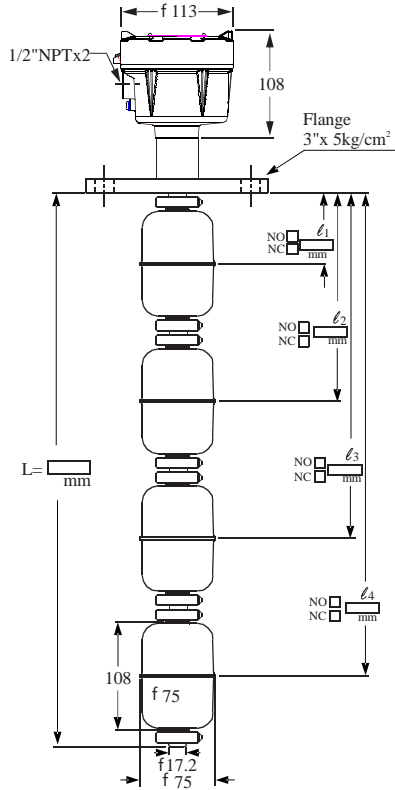
NEPSI PROOF No. GYJ111215 Ex d IIC T3~T6
PTB PROOF No. 05 ATEX 1027 Ex II 2G Ex d IIB T6~T3 GB
Ex II 2D Ex tb IIIC
T85 EC~T200 EC Db IP65

FLANGE TYPE

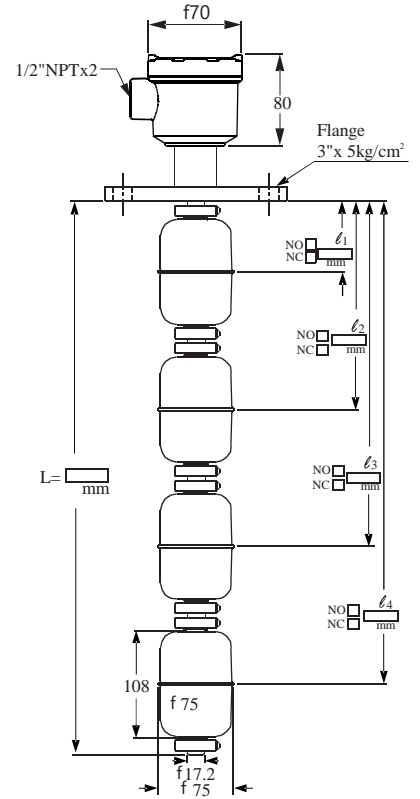
Type FD7 D FM 4 S4 4



Type FD7 D HM 7 S6 4

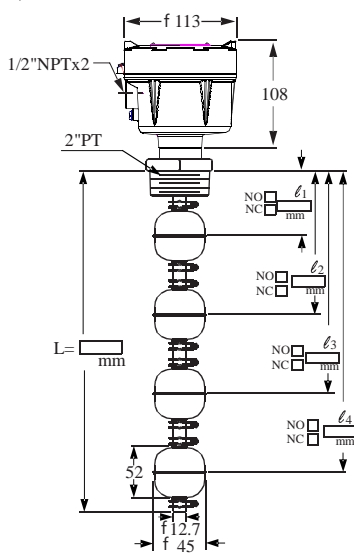


Type FD7 N HM 7 S6 4

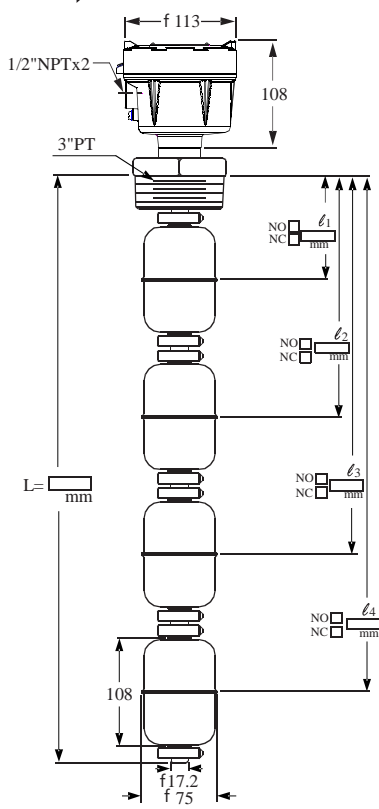


SCREW TYPE

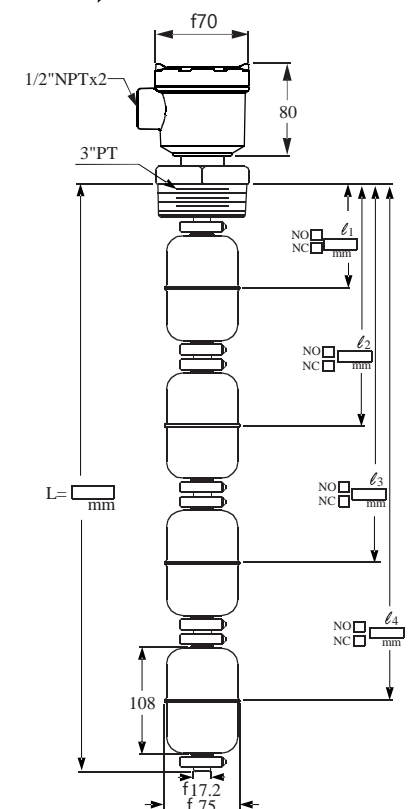
Type FD7 D FQ 4 S4 4



Type FD7 D HQ 7 S6 4



Type FD7 N HQ 7 S6 4



HOW TO MAKE YOUR ORDER

F D 7 D H M 7 **S 6** **3** **0 5 0 0** **A** (**L T**)

T: Test Rog

Tag

Contact Form

A: SPST C: SPDT

F: 1 float 2 points G:1 float 3 points

Length: mm

0500: below 500mm

1000: 501~1000mm

1500: 1001~1500mm ※ 500mm/per unit

Quantity of float

Float Type (see page 7)

P1, P2, P3, P4

F2, F3, F4

S1, S2, S3, S4, S5, S6, S7

Stem

Code size	Material	Code size	Material	Code size	Material
0: f 8	PP	6: f 16	PVDF	A: f 8	SUS316
1: f 8	SUS304	7: f 17.2	SUS304	B: f 9.5	SUS316
2: f 8	PVC	8: f 12.7	P.P.	C: f 12.7	SUS316
3: f 9.5	SUS304	9: f 12.7	PVC	D: f 17.2	SUS316
4: f 12.7	SUS304				
5: f 17.2	P.P.				

Connection Type

Housing Type

D: Aluminum

N: SUS304 or SUS316

Size for flange or screw		Pressure range or other
A: 3/8" (10A)	I: 4"(100A)	M: 5kg/cm ² JIS
B: 1/2" (15A)	J: 5"(125A)	N: 10kg/cm ² JIS
C: 3/4" (20A)	K: 6"(150A)	O: 150Lbs ANSI
D: 1" (25A)	S: Others	P: 300Lbs ANSI
E: 1-1/2"(40A)	1: 1/8"	Q: PT
F: 2" (50A)	2: 1/4"	R: PF (G)
G: 2-1/2"(65A)	3: 1-1/4"(32A)	T: BSP
H: 3" (80A)		U: NPT
		S: Others
		W: PN10 (10Bar)
		X: PN16 (16Bar)
		Y: PN25 (25Bar)
		Z: PN40 (40Bar)
		J: Adjustment screw
		K: Adjustment flange

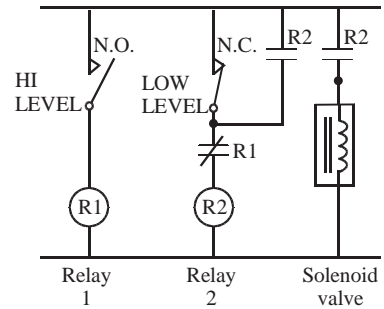
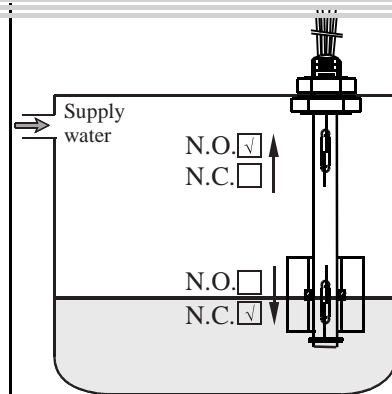
Explosion proof

* Certified by GL, ABS Marine grade are available. (Please see page 17)

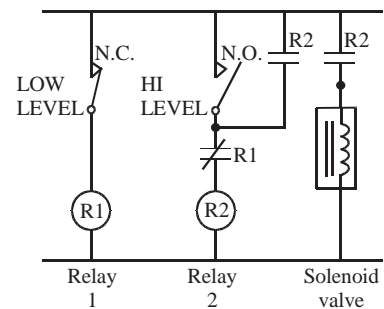
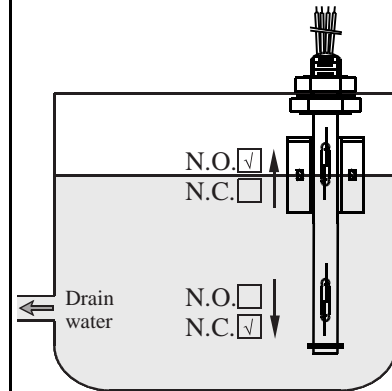
* Special term for LR Marine approval: "Environmental test has been carried out but it is not applicable to use in the ship and offshore that type of screw fittings is used for pipe exceeding 51mm outer diameter".

TYPICAL WIRING DIAGRAMS

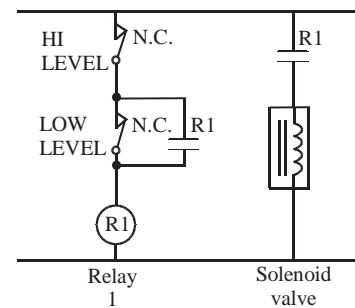
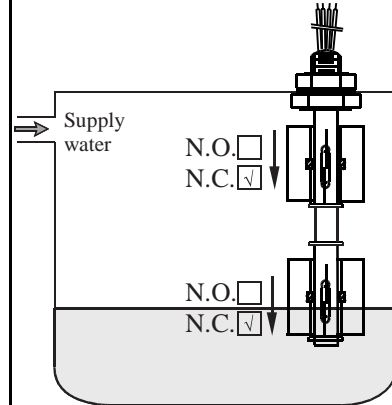
▶ AUTO SUPPLY CASE:
SINGLE FLOAT
DUAL SWITCHES



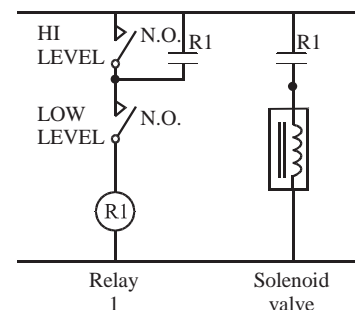
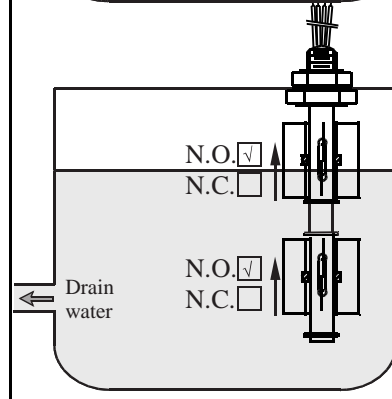
▶ AUTO DRAIN CASE:
SINGLE FLOAT
DUAL SWITCHES



▶ AUTO SUPPLY CASE:
DUAL FLOATS
DUAL SWITCHES



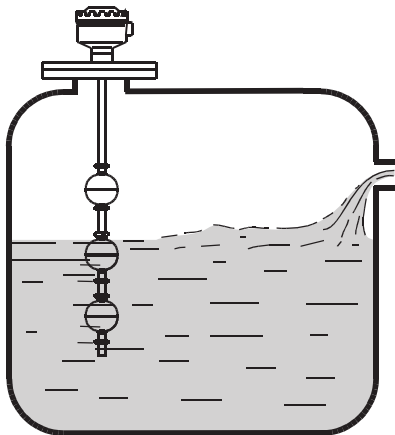
▶ AUTO DRAIN CASE:
DUAL FLOATS
DUAL SWITCHES



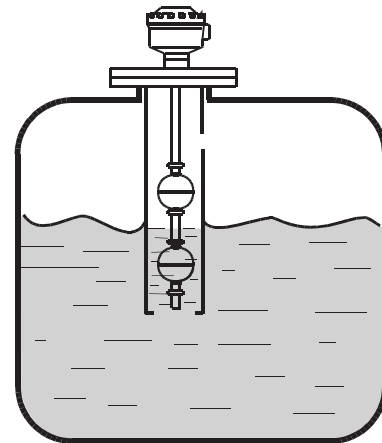
Note: The "N.O." Means normally opened circuit of the reed switch (off) in lower liquid level. As the float moves up to the specified higher level, the circuit closed (on).
The "N.C." Means normally closed circuit of the reed switch (on) in lower liquid level. As the float moves up to the specified higher level, the circuit open (off).

INSTALLATION

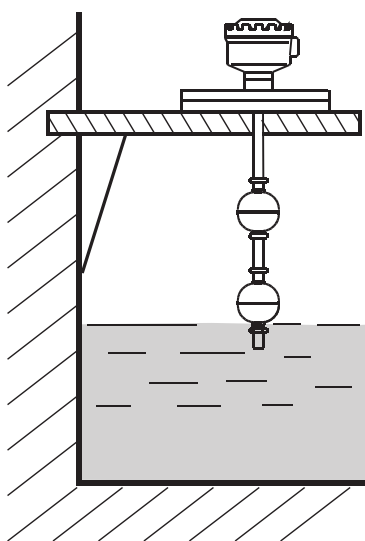
- The float level switch should be mounted far away from liquid inlet. Any strong liquid fluctuation will produce error output signals.



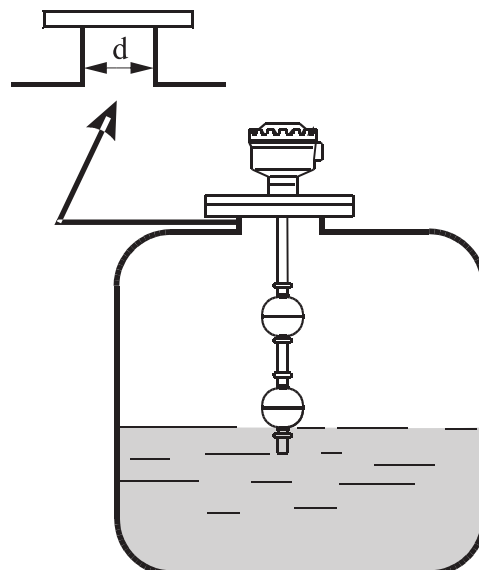
- It is advised to place a pipe shield or equivalent device to normalize the switch actuation if the switch is used near agitator.



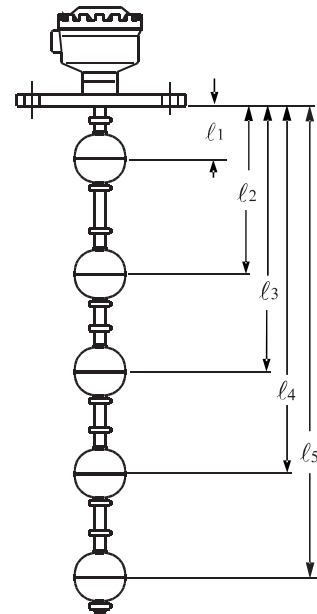
- It had better require an L type supporter, when the switch is mounted in concrete wall tank as figure below.



- It is recommended to select the standpipe with diameter larger than the float ball for installation process.



CONNECTION DIAGRAMS

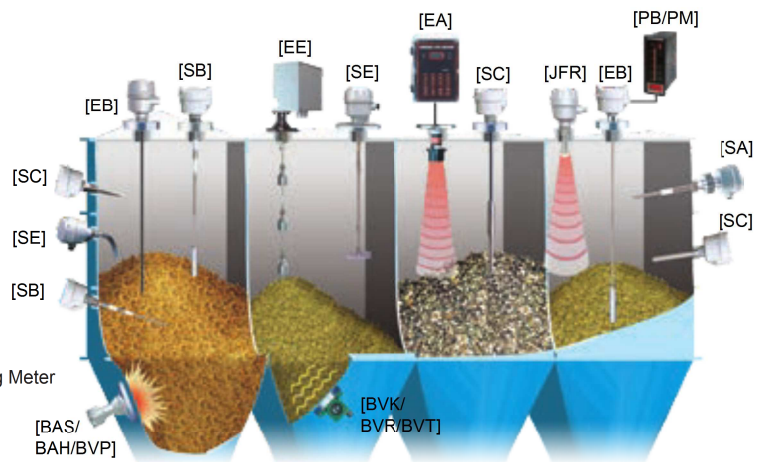
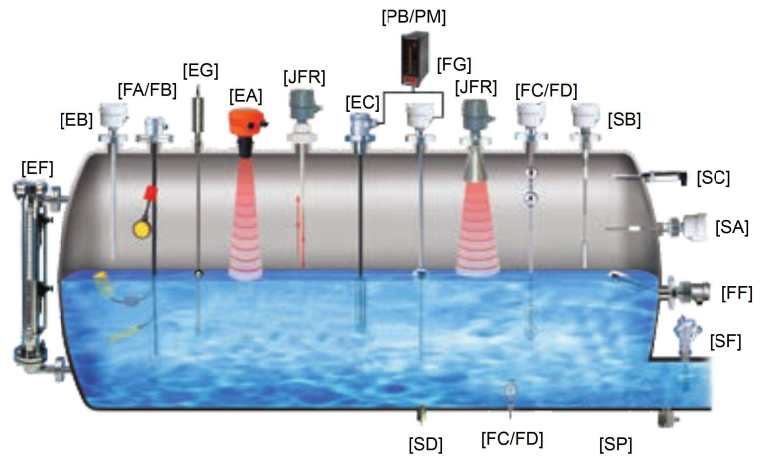


- ※ NO C NC
 Means that the NC-C circuit will be close while liquid level lower than the float ball, by mark of "ON".
- ※ NO C NC
 Means that the NO-C circuit will be close while liquid level higher than the float ball, by mark of "ON".
- ※ NO C NC
 Means that the NO-C circuit will be close while liquid level higher than the float ball, and NC-C circuit will be close while liquid level lower than the float ball.

※ Please screw the housing cap tightly and fix the conduit outlet, it will reinforce the housing performance against the moisture and direct water. (f 8mm multiple cord is recommended for wiring)

※ If the end user is intended to adjust the actuation level position independently, please move the float ball(s) position as well as the interior reed switches, otherwise, it will appear an error or no signal.

- [FC/FD] Mini Float/Magnetic Float Level Switch
- [FG] Magnetic Float Level Transmitter
- [FF] Side Mounting Float Switch
- [FA/FB] Cable Float Level Switch
- [SP] Thermal Dispersion Flow Switch
- [SF] Paddle Flow Switch
- [SD] Optical Level Switch
- [SE] Rotary Paddle Level Switch
- [SA] Capacitance Level Switch
- [EC] Pressure Level Transmitter
- [SC] Vibrating Probe Level Switch
- [SC] Tuning Fork Level Switch
- [EB] RF-Capacitance Level Transmitter
- [SB] RF-Capacitance / Admittance Level Switch
- [EG] Magnetostrictive Level Transmitter
- [EF] By-Pass Level Transmitter
- [MEF] Mini By-Pass Level Transmitter
- [EA] Ultrasonic Level Transmitter
- [JFR] FMCW Radar Level Transmitter
- [EE] Electromechanical Level Measuring System
- [ED] Speed Monitor
- [SRT/SRS] Conveyor Belt Misalignment Switch & Safety Cable Pull Switch
- [PB/PM] Microprocessor Based Bargraphic Display Scaling Meter
- [BRD/AE] Valve and Controller for Dust Collector System
- [BAS/BAH/BVP] Air Hammer
- [BVK/BVR/BVT] Pneumatic Vibrator



TELEMETRIX SAS
79, RUE DE LA GARE
BP118
FR-78370 PLAISIR

Tel. (+33) (0) 972 11 00 03
Fax (+33) (0) 972 11 00 03
www.direct-mesure.fr
contact@direct-mesure.fr

N° TVA FR85418256814
RCS B 418 256 814
SIRET 418 256 814 00041



Distributeur: