

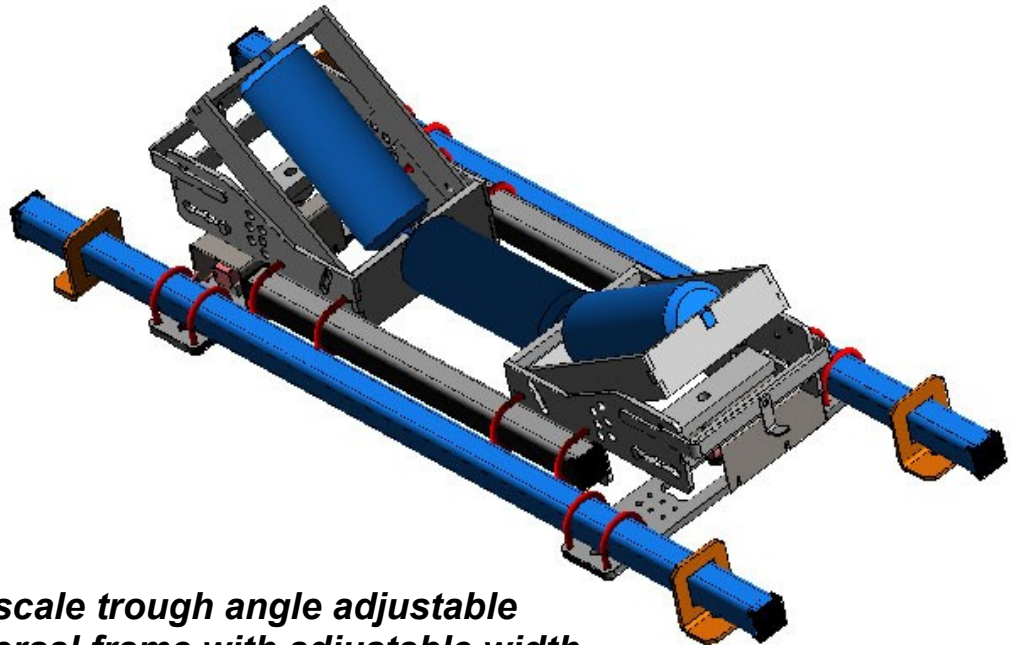
Dynamic weighing

Serie 2040VX

Belt scale



TeleMetrix

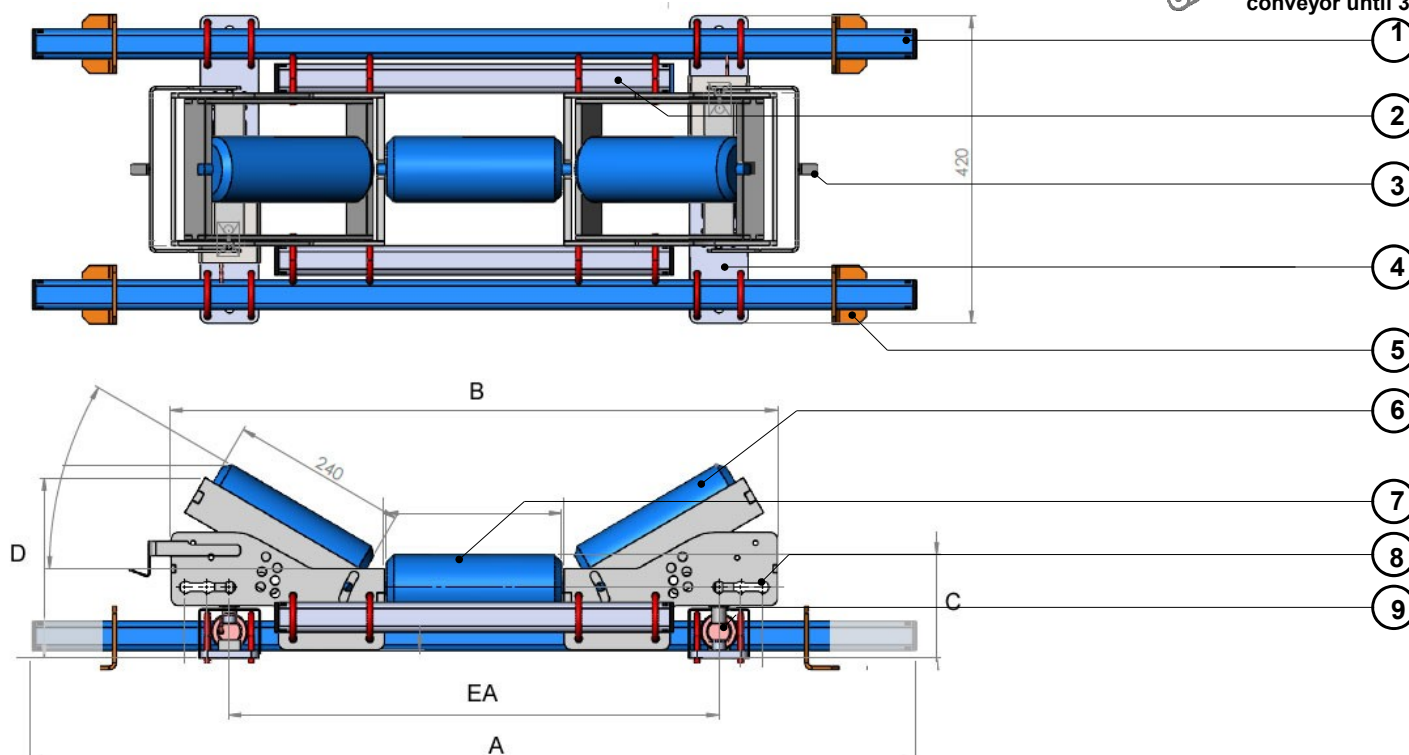
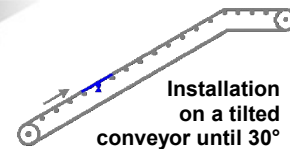


- *Belt scale trough angle adjustable*
- *Universal frame with adjustable width*
- *Quick and easy assembly on a conveyor type lattice or box*
- *2 load cells INOX IP69K « Heavy Duty » certified OIML*
- *Reinforcement bars*
- *Support of calibration masses*



Belt scale Serie 2040VX

Dimensions & layout

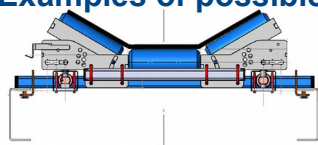


1	2 fastening bars, dependig on the width of the conveyor 40 x 40 mm galvanized, possible to cut A = 1200 mm in standard (1500, 2000 on request)
2	2 adjustable spacers to reinforce the frame
3	2 supports calibration masses
4	2 Support plates of a load cell
5	4 fixing brackets without drilling
6	2 lifting rollers of 20 to 45 ° diameter 89 mm (included in our supply).
7	1 central roller of diameter 89 mm, width depending on a belt (not included in our supply)
8	Adjustement of the center distance load cell (EA) depends on a width of the conveyor.
9	2 load cells with a height adjustment to align the belt scale with a load and download stations

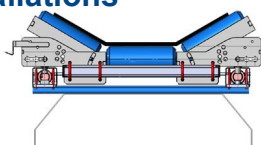
Features

Belt width (mm)	500 600 650 800 1000 1200 1400 1600 1800
Belt speed (m/s)	0,1 to 3
Flow range (t/h)	1 to 400 t/h
Weighing sensibility	2 mV/V @ 100 kg/m
Weight (kg)	36
Installation	Delivered as a kit and adjustable support, no drilling or welding, using existing rollers.

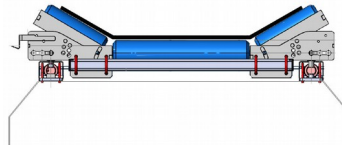
Examples of possible installations



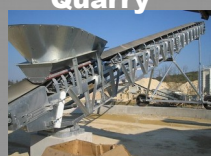
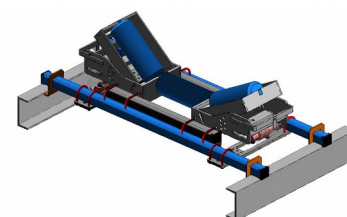
Stringer conveyor
Belt of 650 to 1600 mm



Box conveyor
Belt of 500 to 1000 mm



Large box conveyor
Belt of 1000 to 1600 mm



Quarry



Harbour



Mobile plant



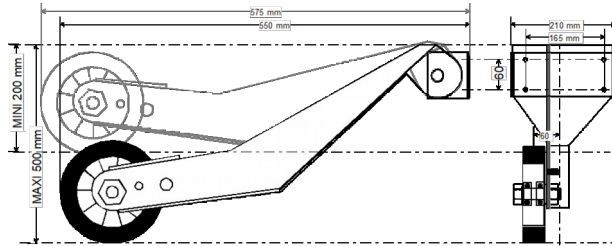
Sandpit



Waste treatment

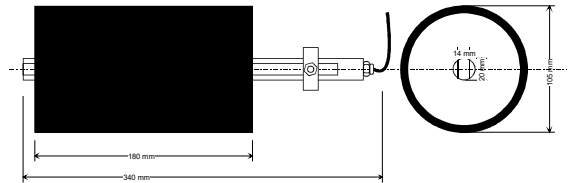
Speed sensor

Wheel sensor VTROL



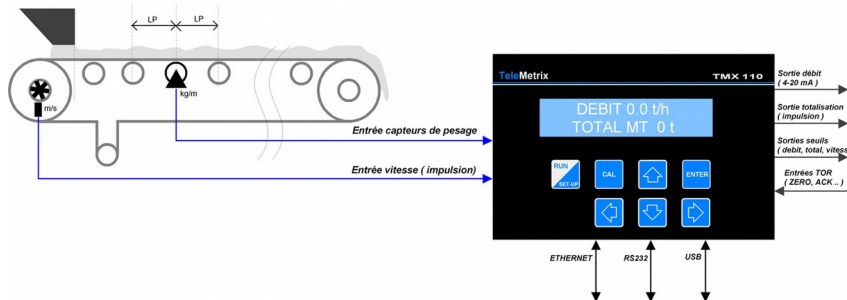
The tachymetric wheel **VTROL** is a ready-made and reliable solution for speed measurement. Easy and quick set up on any conveyor type, easy maintenance, 2-wired or 3-wired cabling.

Roler sensor TNRV



The tachymetric roller **TNRV** is designed to be directly mounted without modification on one of the roller station of common belt scale in quarries. Quick set up, 2-wired or 3-wired cabling.

Weight calculator



TMX110 Dynamic Weighting Calculator Integrator

- Alphanumeric display of values : debit, total weight, speed, anomaly ...
- Dynamic programme, dosing, weighing screw, flowmeter
- Multi-languag display : English, French, Dutch, etc. (Available in other languages)
- Available with **WATERPROOF , FREE STANDING OR WALL MOUNTING, DIN RAIL (transmitter)**.
- Universal communication: standard analogue and numeric connections.
- Auto-calibration and/or testing methods.
- Configuration saving on USB stick.
- Overall auto-diagnostic of the weighing scale's composant: sensors, E/S, etc...
- Online and USB updating of the firmware



TMX400 Multi-Connection Weight Calculator

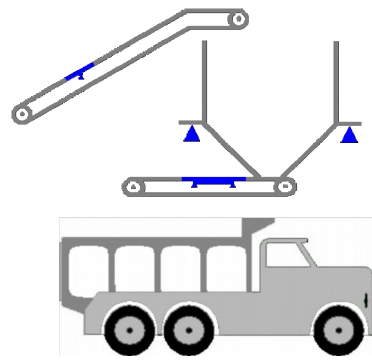
- Clear display of numerical values: flow, total weight, speed, anomaly, **up to 15** weighing scale's conections (NOD400 box)
- Multi-language display
- Compact housing wall or DIN rail mounting.
- Universal communication: ethernet, modbus, profibus, analogue connection, USB, ...
- Auto-calibration and/or testing methods.
- Easy setup and remote maintenance



Our know-how:

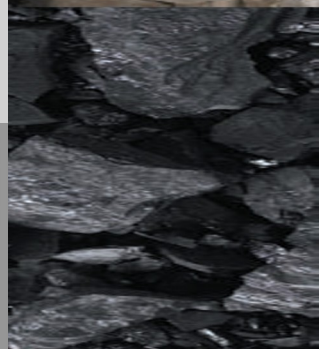
PRODUCTION APPLICATIONS

- Continuous control and regulation process
- Daily and weekly counting and totalisation
- Auto-control of truck or wagon loading
- Stock management



APPLICATION MANAGEMENT

DYNAMIX is a software which offers you 3G functionality thus centralized measures, even on distant location. Our softwares ensure connectivity, performance and reliability for your installation.



WEIGHING SCREW

The measurement system directly integrates the production line without additional material.

DOSING

Mini weighting belt conveyor allows debit control or continuous loading control.

CFM DOSING FLOWMETER

Les débitmètres à plaque d'impact sont Utilisés dans le dosage-régulation, la préparation de charge (chargement camion, ensilage).

DOSIMETER LWR

Permet de doser en continu avec une grande précision les pulvérulents et granulés à densité variable ou fixe.

STATIC WEIGHING

Les pesons sous silos ou trémie sont des moyens précis de mesure de niveau.

FIELD SERVICE



Provide technical services in industrial weighing field: assembly, calibration, breakdown services as maintenance agreement. Our technicians have developed a great experience in the industrial dynamic weighing area with the regulatory requirements.



Calibration

Test material and calibration masses



COMPLEMENTARY PRODUCTS

Rotation Controller



Emergency Stop Switch



Tilt Switch probes



Load cell



Metal Detector



SAS TELEMETRIX®
7, Rue du Bois Malhais
78640 Saint Germain de la Grange, FRANCE

Head office
Tél. (+33) 0972 11 00 03
Fax. (+33) 0972 11 00 57

SOUTH office
(+33) 04 84 51 03 00

Export
Europe, Afrique, Asie...

contact@telemetrix.fr

www.telemetrix.fr

export@telemetrix.fr

Votre interlocuteur



TeleMetrix